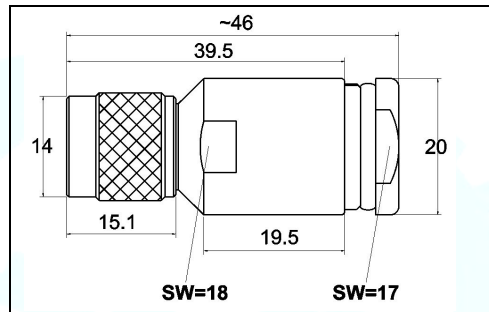


UG801

TNC – plug / Stecker



All Dimensions in mm - Alle Dimensionen in mm

| | | | | | |
|-------|--------------|-----------------|----------|-------------|--------------|
| Norm: | IEC61 169-17 | Connector type: | TNC plug | Steckertyp: | TNC -Stecker |
|-------|--------------|-----------------|----------|-------------|--------------|

| | |
|--------------|---------|
| Art. No.: | UG801TA |
| Artikel Nr.: | |

| | |
|------------------|------|
| Protection code: | IP67 |
| Schutzklasse: | |

| | | | |
|-----------------------------|---------------------------------|----------------------------------|--|
| Cable Types: Kabeltypen: | Aircom Premium | ECOFLEX 10 | |
| | H1000 | UltraFlex 10 | |
| | H2000 Flex | HyperFlex 10 | |
| | LMR 400 | H2010 | |
| | RG213 | Calorix 10 | |
| Pin hole / Loch: | Pin 1: hole / Loch ø: 2,8 mm | Pin 2: hole / Loch ø: 2,95 mm | |

Mechanical Specifications / Mechanische Eigenschaften

| | | | |
|--|---|--|------------------------------------|
| Life time (plug cycles): | Lebensdauer (Steckungen): | ≥ 500 | ≥ 500 |
| Material (metal parts excl. pin): | Material (Metallteile außer Pin): | CuZn39Pb3 | CuZn39Pb3 |
| Material pin: | Material Pin: | CuBe2 (C17200) | CuBe2 (C17200) |
| Material isolator: | Material Isolierhülse: | PTFE | PTFE |
| Material Gasket | Material Anpressdichtung: | Rubber | Gummi |
| Material O-Ring: | Material O-Ring: | Rubber | Gummi |
| Surface (metal parts excl. pin): | Oberfläche (Metallteile außer Pin) | Ni plated | vernickelt |
| Optional: Surface (metal parts excl. pin): | Option: Oberfläche (Metallteile außer Pin): | CuSnZn3 plated | CuSnZn3 |
| Surface pin: | Oberfläche Pin: | gold plated | vergoldet |
| Operating Temperature: | Temperaturbereich: | -55 °C / +155 °C | -55 °C / +155 °C |
| Weight: | Gewicht: | 50 g | |
| RoHs compliant: | RoHs conform: | Yes/ Ja: <input checked="" type="checkbox"/> | No/ Nein: <input type="checkbox"/> |

Electrical Specifications / Elektrische Eigenschaften

| | | | |
|--------------------------|-----------------------------|------------------|--|
| Working Voltage: | Betriebsspannung: | ≤ 500 V RMS | |
| Impedance: | Impedanz: | 50 Ω | |
| Insulation Resistance: | Isolationswiderstand: | ≥ 5 GΩ | |
| VSWR: | VSWR: | ≤ 1,22 / (3 GHz) | |
| Contact Resistance inner | Durchgangswiderstand innen | ≤ 10,0 mΩ | |
| Contact Resistance outer | Durchgangswiderstand aussen | ≤ 2,5 mΩ | |