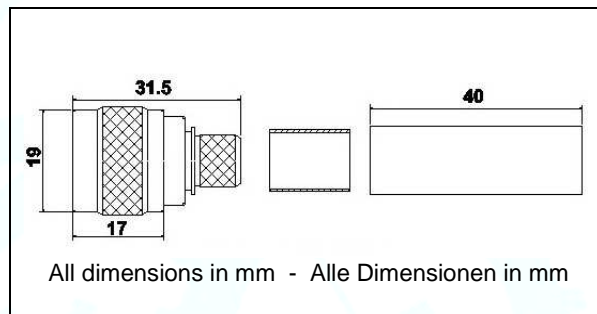
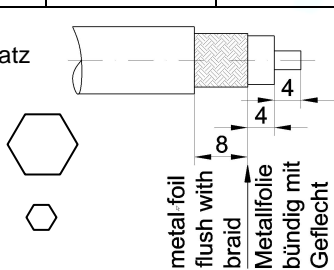
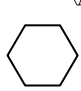
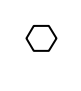


# N – crimp 10 male

# N – Plug / Stecker



|       |            |                 |          |             |             |
|-------|------------|-----------------|----------|-------------|-------------|
| Norm: | IEC 169-16 | Connector type: | N - Male | Steckertyp: | N - Stecker |
|-------|------------|-----------------|----------|-------------|-------------|

| Art. No.:                 | N-Crimp 10 male   | Cable Types:  | Pin Ø for Inner Wire                                  | Crimp ferrule  |
|---------------------------|---|---|---|----------------|
| Artikel Nr.:              | N-Crimp 10 male   | Kabeltypen:   | Pin Ø für Innenleiter                                 | Crimp Hülse    |
| Crimp die<br>Crimpeinsatz |   | <b>Standard:</b><br>Ecoflex 10 / Ecoflex 10 Heatex<br>H2010 / Ultraflex10 / Hyperflex10<br>Calorix10<br><b>Optional:</b><br>RG 213<br>RG 214<br>RG225 / RG393<br>H1000 / H2000 Flex / LMR 400<br>Aircom P / RG8/U Belden 9913 | Crimp Pin Hole - Solder Hole<br>Ø 2,95 mm    Ø 2,1 mm | Ø 12,25 x 0,75 |
| 10,90 mm<br>Hex           |   |   | Ø 2,30 mm    Ø 1,2 mm                                 | Ø 12,25 x 0,75 |
| 3,25 mm<br>Hex            |  |   | Ø 2,30 mm    Ø 1,2 mm                                 | Ø 12,40 x 0,50 |
|                           |   |   | Ø 2,38 mm    Ø 1,5 mm                                 | Ø 12,40 x 0,50 |
|                           |   |   | Ø 2,75 mm    Ø 1,8 mm                                 | Ø 12,25 x 0,75 |
|                           |   |   | Ø 2,75 mm    Ø 1,8 mm                                 | Ø 12,25 x 0,75 |

## Mechanical Specifications / Mechanische Eigenschaften

|  |   |  |  |
|--|---|--|--|
| Life time (plug cycles):                   | Lebensdauer (Steckungen):                     | ≥ 500  | ≥ 500                                  |
| Material (metal parts excl. pin):          | Material (Metallteile außer Pin):             | CuZn39Pb3                                    | CuZn39Pb3                              |
| Material pin (diamagnetic):                | Material Pin (diamagnetisch):                 | CuSn6; QSn6.5-01 (C51900) or CuZn39Pb3       | CuSn6; QSn6.5-01 (C51900) or CuZn39Pb3 |
| Material isolator:                         | Material Isolierhülse:                        | PTFE   | PTFE                                   |
| Material gasket in Mating Face:            | Material Dichtung Steckergesicht:             | Silicone                                     | Silikon                                |
| Standard: Surface (metal parts excl. pin): | Standard: Oberfläche (Metallteile außer Pin): | Nickel plated                                | vernickelt                             |
| Optional: Surface (metal parts excl. pin): | Option: Oberfläche (Metallteile außer Pin):   | CuSnZn3                                      | CuSnZn3                                |
| Surface pin:                               | Oberfläche Pin:                               | Gold plated                                  | vergoldet                              |
| Operating temperature:                     | Temperaturbereich:                            | -45°C / +155 °C                              |  |
| Weight:                                    | Gewicht:                                      | 31 g   |  |
| RoHs compliant:                            | RoHs conform:                                 | Yes/ Ja: <input checked="" type="checkbox"/> | No/ Nein: <input type="checkbox"/>     |
| Pin can be optional soldered               |   | Yes/ Ja: <input checked="" type="checkbox"/> | No/ Nein: <input type="checkbox"/>     |

## Electrical Specifications / Elektrische Eigenschaften

|                          |                             |              |  |
|--------------------------|-----------------------------|--------------|--|
| Working voltage:         | Betriebsspannung:           | ≤ 1000 V RMS |  |
| Impedance:               | Impedanz:                   | 50 Ω         |  |
| Insulation resistance:   | Isolationswiderstand:       | ≥ 5 GΩ       |  |
| Frequency up to:         | Frequenz bis zu:            | 4 GHz        |  |
| Inner Contact Resistance | Durchgangswiderstand innen  | ≤ 1,5 mΩ     |  |
| Outer Contact Resistance | Durchgangswiderstand aussen | ≤ 1,0 mΩ     |  |