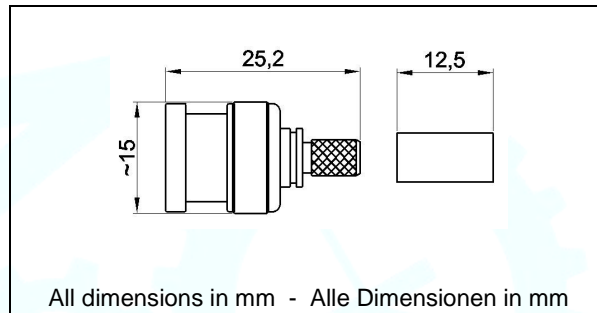
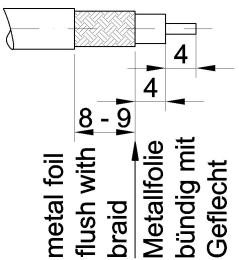




# BNC-crimp-5

# BNC – Plug / Stecker



|       |           |                 |            |             |               |
|-------|-----------|-----------------|------------|-------------|---------------|
| Norm: | IEC 169-8 | Connector type: | BNC - Male | Steckertyp: | BNC - Stecker |
|-------|-----------|-----------------|------------|-------------|---------------|

| Art. No.:                 | BNC-crimp-5   | Cable Types:                  | Pin Ø for Inner Wire                                  | Crimp ferrule |
|---------------------------|---|-------------------------------|---|---------------|
| Artikel Nr.:              |   | Kabeltypen:                   | Pin Ø für Innenleiter                                 | Crimp Hülse   |
| Crimp die<br>Crimpeinsatz |   | Aircell 5<br>LMR 200<br>H2005 | Crimp Pin Hole - Solder Hole<br>Ø 1,15 mm    Ø 1,2 mm | Ø 6,3 x 0,5   |
| 5,41 mm<br>Hex            |   |                               |   |               |
| 1,72 mm<br>Hex            |  |                               |   |               |
|                           | metal foil<br>flush with<br>braid<br>Metallfolie<br>bündig mit<br>Geflecht          |                               |   |               |

## Mechanical Specifications / Mechanische Eigenschaften

|  |   |  |   |
|--|---|--|---|
| Life time (plug cycles):                   | Lebensdauer (Steckungen):                     | ≥ 500  | ≥ 500                                     |
| Material (metal parts excl. pin):          | Material (Metallteile außer Pin):             | CuZn39Pb3                                    | CuZn39Pb3                                 |
| Material pin (diamagnetic):                | Material Pin (diamagnetisch):                 | CuSn6; QSn6.5-01<br>(C51900) or CuZn39Pb3    | CuSn6; QSn6.5-01<br>(C51900) or CuZn39Pb3 |
| Material isolator:                         | Material Isolierhülse:                        | PTFE   | PTFE                                      |
| Material gasket in Mating Face:            | Material Dichtung Steckergesicht:             | Silicone                                     | Silikon                                   |
| Standard: Surface (metal parts excl. pin): | Standard: Oberfläche (Metallteile außer Pin): | Nickel plated                                | vernickelt                                |
| Optional: Surface (metal parts excl. pin): | Option: Oberfläche (Metallteile außer Pin):   | CuSnZn3                                      | CuSnZn3                                   |
| Surface pin:                               | Oberfläche Pin:                               | Gold plated                                  | vergoldet                                 |
| Operating temperature:                     | Temperaturbereich:                            | -45°C / +155 °C                              |   |
| Weight:                                    | Gewicht:                                      | 8 g  |   |
| RoHs compliant:                            | RoHs conform:                                 | Yes/ Ja: <input checked="" type="checkbox"/> | No/ Nein: <input type="checkbox"/>        |
| Pin can be optional soldered               |   | Yes/ Ja: <input checked="" type="checkbox"/> | No/ Nein: <input type="checkbox"/>        |

## Electrical Specifications / Elektrische Eigenschaften

|                          |                             |             |
|--------------------------|-----------------------------|-------------|
| Working voltage:         | Betriebsspannung:           | ≤ 500 V RMS |
| Impedance:               | Impedanz:                   | 50 Ω        |
| Insulation resistance:   | Isolationswiderstand:       | ≥ 5 GΩ      |
| Frequency up to:         | Frequenz bis zu:            | 4 GHz       |
| Inner Contact Resistance | Durchgangswiderstand innen  | ≤ 1,5 mΩ    |
| Outer Contact Resistance | Durchgangswiderstand aussen | ≤ 1,0 mΩ    |