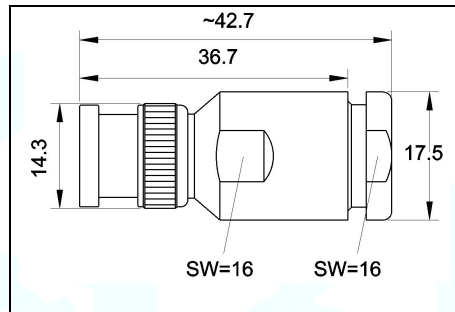


# BNC-7BM

# BNC Plug / Stecker



All Dimensions in mm - Alle Dimensionen in mm

|       |              |                 |          |             |             |
|-------|--------------|-----------------|----------|-------------|-------------|
| Norm: | IEC 61 169-8 | Connector type: | BNC plug | Steckertyp: | BNC Stecker |
|-------|--------------|-----------------|----------|-------------|-------------|

|              |         |
|--------------|---------|
| Art. No.:    | BNC-7BM |
| Artikel Nr.: |         |

|                    |             |  |  |
|--------------------|-------------|--|--|
| Cable Types:       | Aircell 7   |  |  |
| Kabeltypen:        | H2007       |  |  |
|                    | Highflexx 7 |  |  |
|                    |             |  |  |
|                    |             |  |  |
| Pin hole / Loch ø: | 2,0 mm      |  |  |

|                  |      |
|------------------|------|
| Protection code: | IP54 |
| Schutzklasse:    |      |

## Mechanical Specifications / Mechanische Eigenschaften

|  |   |  |                                    |
|--|---|--|------------------------------------|
| Life time (plug cycles):                   | Lebensdauer (Steckungen):                   | ≥ 500  | ≥ 500                              |
| Material (metal parts excl. pin):          | Material (Metallteile außer Pin):           | CuZn39Pb3                                    | CuZn39Pb3                          |
| Material pin:                              | Material Pin:                               | CuZn39Pb3                                    | CuZn39Pb3                          |
| Material isolator:                         | Material Isolierhülse:                      | PTFE   | PTFE                               |
| Material Gasket                            | Material Anpressdichtung:                   | Rubber                                       | Gummi                              |
| Material O-Ring                            | Material O-Ring:                            | n.a.   | n.a.                               |
| Surface (metal parts excl. pin):           | Oberfläche (Metallteile außer Pin)          | Nickel plated                                | vernickelt                         |
| Optional: Surface (metal parts excl. pin): | Option: Oberfläche (Metallteile außer Pin): | CuSnZn3 plated                               | CuSnZn3                            |
| Surface pin:                               | Oberfläche Pin:                             | gold plated                                  | vergoldet                          |
|  |   |  |                                    |
| Operating Temperature:                     | Temperaturbereich:                          | -45°C / +155 °C                              |                                    |
| Weight:                                    | Gewicht:                                    | 39 g   |                                    |
| RoHs compliant:                            | RoHs conform:                               | Yes/ Ja: <input checked="" type="checkbox"/> | No/ Nein: <input type="checkbox"/> |

## Electrical Specifications / Elektrische Eigenschaften

|                          |                             |                  |  |
|--------------------------|-----------------------------|------------------|--|
| Working Voltage:         | Betriebsspannung:           | ≤ 500 V RMS      |  |
| Impedance:               | Impedanz:                   | 50 Ω             |  |
| Insulation Resistance:   | Isolationswiderstand:       | ≥ 5 GΩ           |  |
| VSWR:                    | VSWR:                       | ≤ 1,22 / (3 GHz) |  |
| Contact Resistance inner | Durchgangswiderstand innen  | ≤ 1,5 mΩ         |  |
| Contact Resistance outer | Durchgangswiderstand aussen | ≤ 1,0 mΩ         |  |