

Data Sheet

Coaxial Relay CZX-3500



MECHANICAL CHARACTERISTICS :

| | | |
|-------------------------|-------|----------------------------|
| Contact Arrangement | | SPDT |
| Operational Temperature | | - 25°C to + 50°C |
| Max Temperature Rise | | 20°C |
| Weight | | Approx. 320 g |
| Mounting | | Four screws |
| Cable Connections | | 3 N type female connectors |

ELECTRICAL CHARACTERISTICS :

| | | |
|-----------------|-------|-----------------------|
| Impedance | | 50 Ohms |
| Nominal Voltage | | 12 V DC |
| Voltage Range | | 10 V DC - 14 V DC |
| Current | | 230 mA @ 12 V DC 20°C |
| Coil Resistance | | 52 ±10% Ohms @ 20°C |

RF-PROPERTIES :

| Frequency MHz | VSWR max | Isolation -dB(min) | Ins. Loss -dB(max) | RF Power input W (PEP) |
|------------------|-------------|-----------------------|-----------------------|---------------------------|
| 50 | 1.008 | 65 | 0.10 | 1000 |
| 150 | 1.01 | 65 | 0.10 | 1000 |
| 500 | 1.03 | 65 | 0.20 | 800 |
| 1000 | 1.06 | 65 | 0.25 | 600 |
| 2000 | 1.07 | 65 | 0.30 | 250 |
| 3000 | 1.10 | 60 | 0.30 | 50 |
| 4000 | 1.15 | 55 | 0.35 | 15 |

ACTUATION DATA :

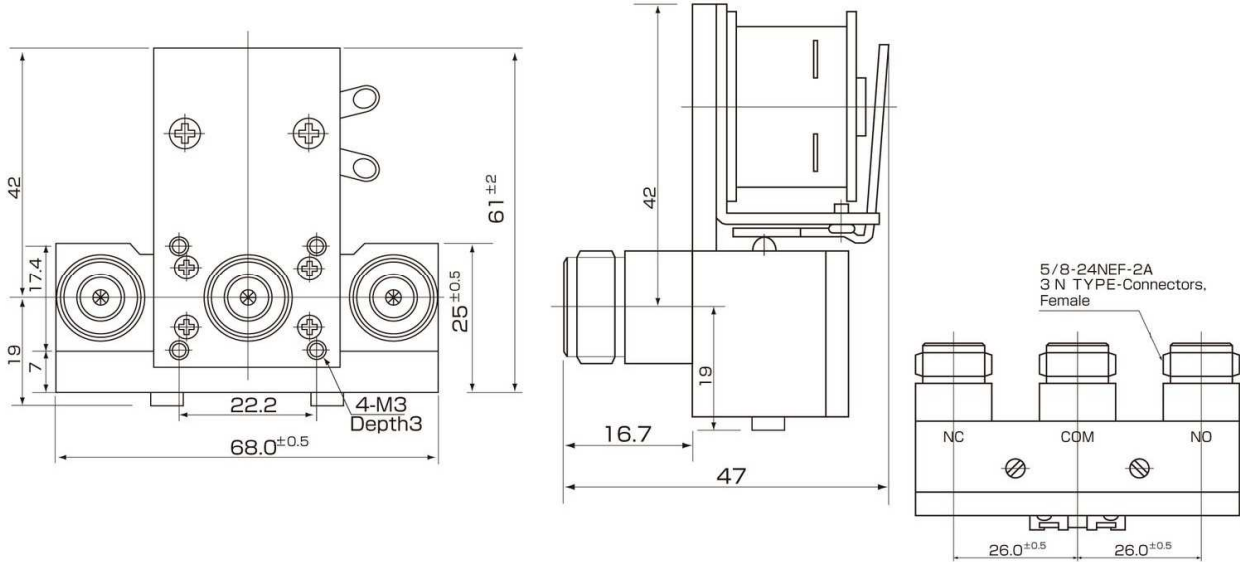
| | | |
|----------|-------|-------------------------------------|
| Pull In | | 10 V DC - 14 V DC (12 V DC Nominal) |
| Drop Out | | 3 V DC min. |

SWITCHING TIME :

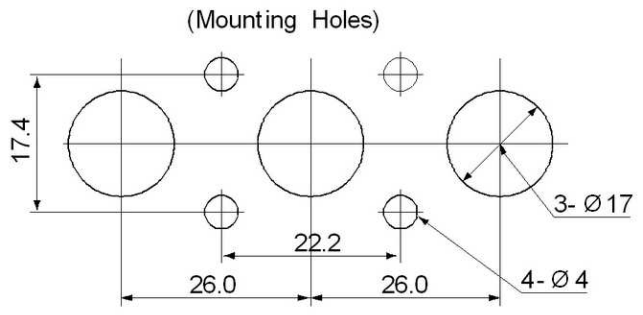
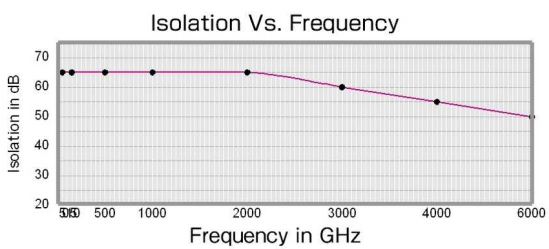
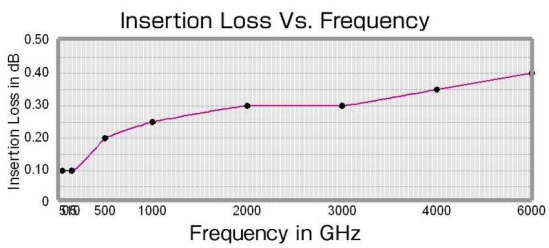
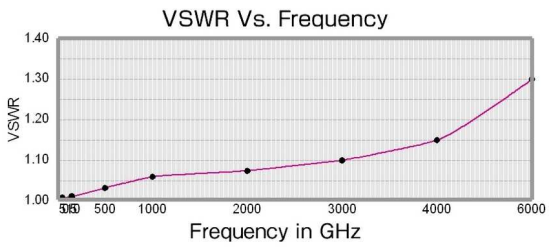
| | | |
|-----------------|-------|---------------------------|
| Pull In | | 20 ms max. |
| Drop Out | | 18 ms max. |
| Life Expectancy | | 1.000.000 Operations min. |

Coaxial Relay CZX-3500

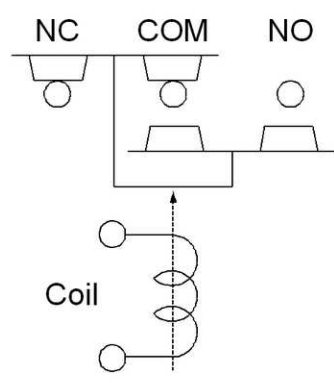
DIMENSIONS :



Typical Operating Curves :



Schematic:



NON GROUNDING