

Data Sheet

Coaxial Relay CX-800N



MECHANICAL CHARACTERISTICS :

Contact Arrangement	DPDT
Operational Temperature	- 25°C to + 50°C
Max Temperature Rise	20°C
Weight	Approx. 365 g
Mounting	Two MTG holes
Cable Connections	6 N type female connectors

ELECTRICAL CHARACTERISTICS :

Impedance	50 Ohms
Nominal Voltage	12 V DC
Voltage Range	10 V DC - 14 V DC
Current	226 mA @ 12 V DC 20°C
Coil Resistance	53 ±10% Ohms @ 20°C

RF-PROPERTIES :

Frequency MHz	VSWR max	Isolation -dB(min)	Ins. Loss -dB(max)	RF Power input W (PEP)
50	1.10	50	0.15	1000
150	1.15	48	0.15	1000
500	1.15	37	0.20	800
1000	1.18	28	0.20	500
1500	1.20	26	0.20	350
2000	1.30	23	0.30	150

ACTUATION DATA :

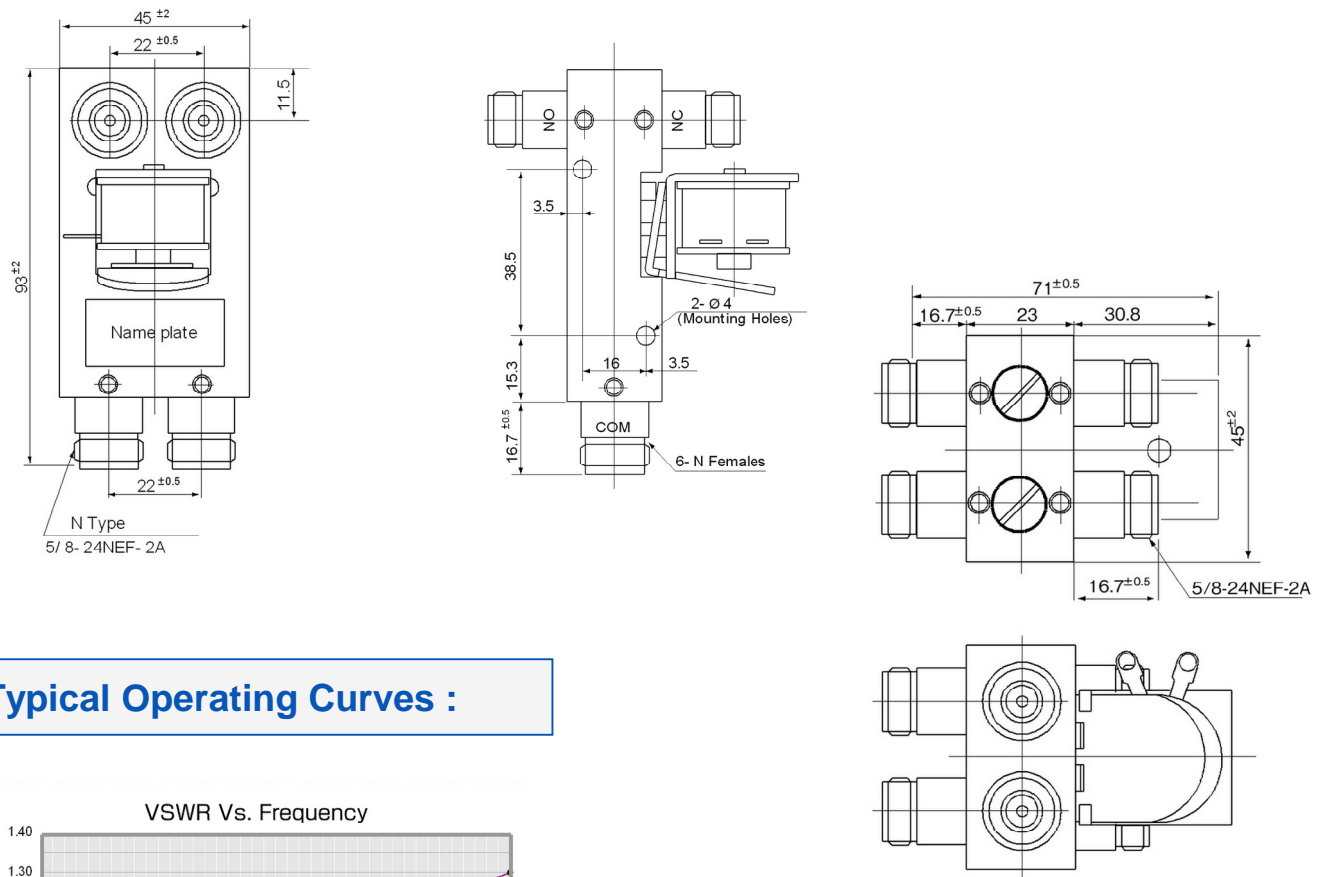
Pull In	10 V DC - 14 V DC (12 V DC Nominal)
Drop Out	3 V DC min.

SWITCHING TIME :

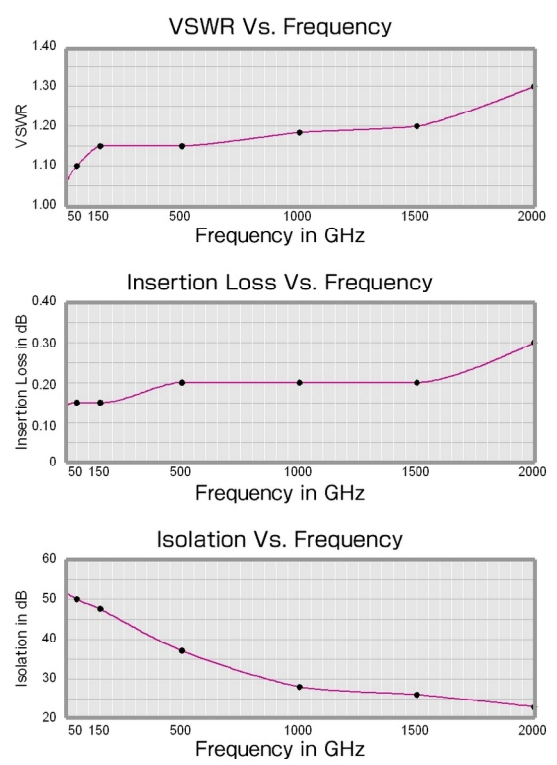
Pull In	20 ms max.
Drop Out	15 ms max.
Life Expectancy	1.000.000 Operations min.

Coaxial Relay CX-800N

DIMENSIONS :



Typical Operating Curves :



Schematic:

