

Data Sheet

Coaxial Relay CX-600NL

MECHANICAL CHARACTERISTICS :

Contact Arrangement	SPDT
Operational Temperature	- 25 °C to + 50 °C
Max Temperature Rise	20 °C
Weight	Approx. 240 g
Mounting	Four screws
Cable Connections	3x N type female connectors

ELECTRICAL CHARACTERISTICS :

Impedance	50 Ohms
Nominal Voltage	12 V DC
Voltage Range	10 V DC - 14 V DC
Current	160 mA @12 V DC 20 °C
Coil Resistance	75 ±10% Ohms @ 20 °C

RF-PROPERTIES :

Frequency	VSWR	Isolation	Ins. Loss	RF Power input
MHz	max	-dB(min) ±3 dB	-dB(max)	W (PEP)
50	1.03	60	0.07	1000
150	1.10	48	0.09	1000
500	1.15	35	0.10	800
1000	1.20	28	0.15	500

ACTUATION DATA :

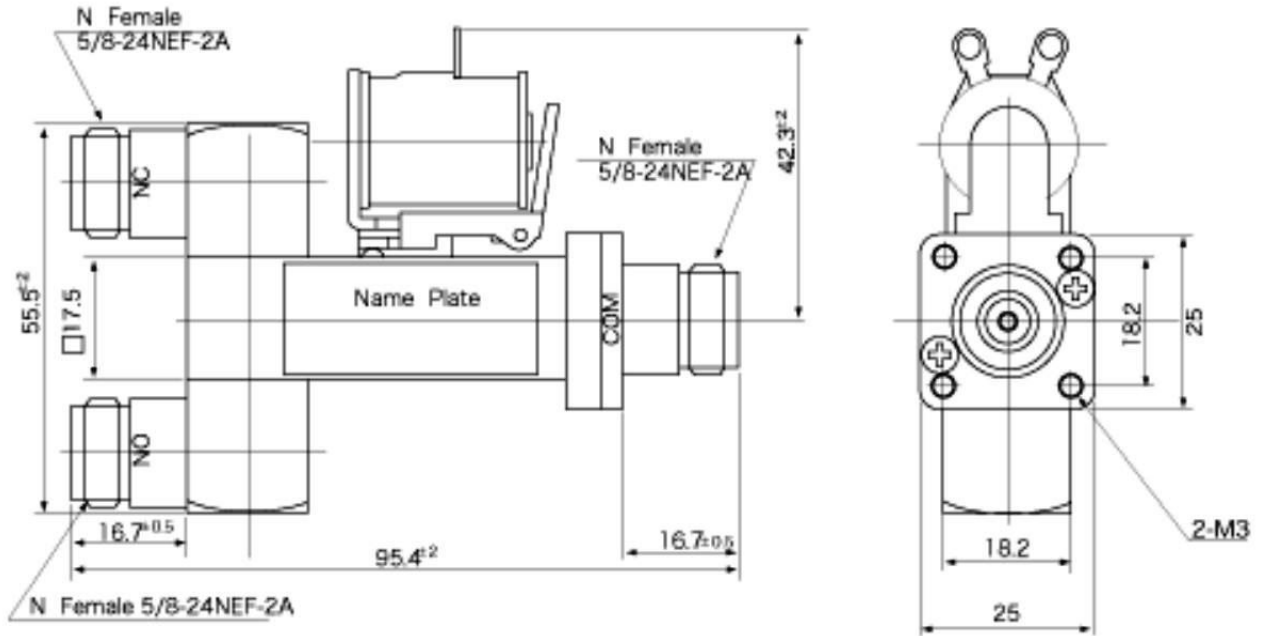
Pull In	10 V DC - 14 V DC (12 V DC Nominal)
Drop Out	3 V DC min.

SWITCHING TIME :

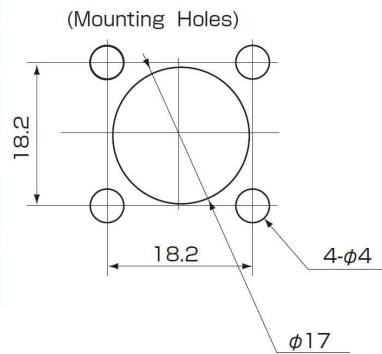
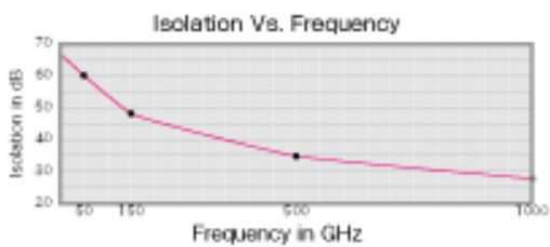
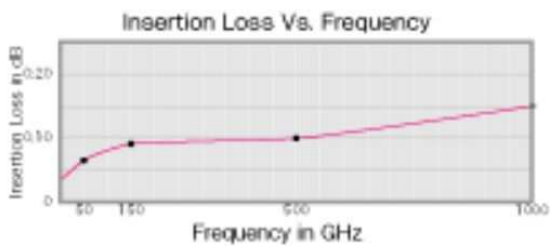
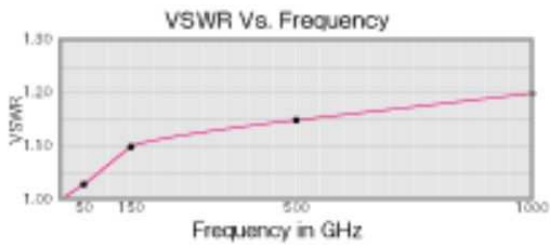
Pull In	20 ms max.
Drop Out	15 ms max.
Life Expectancy	1.000.000 Operations min.

Coaxial Relay CX-600NL

DIMENSIONS :



Typical Operating Curves :



Schematic:

