

Data Sheet

Coaxial Relay CX-531N



MECHANICAL CHARACTERISTICS :

Contact Arrangement	SPDT
Operational Temperature	- 25°C to + 50°C
Max Temperature Rise	20°C
Weight	Approx. 200 g
Mounting	Two screws
Cable Connections	1 N type female connector, directly connect cables

ELECTRICAL CHARACTERISTICS :

Impedance	50 Ohms
Nominal Voltage	12 V DC
Voltage Range	10 V DC - 14 V DC
Current	160 mA @ 12 V DC 20°C
Coil Resistance	75 ±10% Ohms @ 20°C

RF-PROPERTIES :

Frequency MHz	VSWR max	Isolation -dB(min)	Ins. Loss -dB(max)	RF Power input W
50	1.01	65	0.15	200
150	1.02	65	0.15	200
500	1.03	40	0.20	150
1000	1.05	20	0.25	100
1500	1.20	15	0.30	100

ACTUATION DATA :

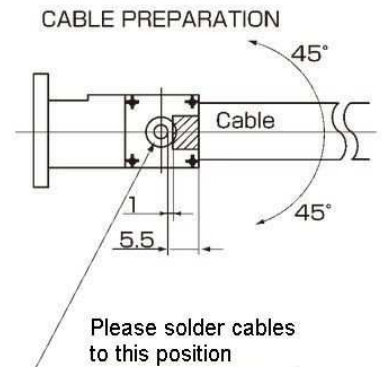
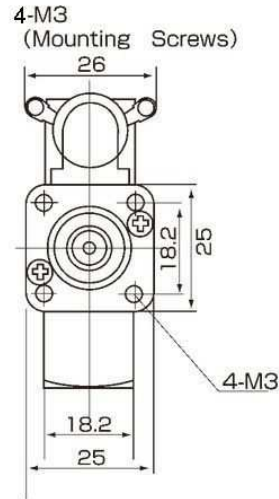
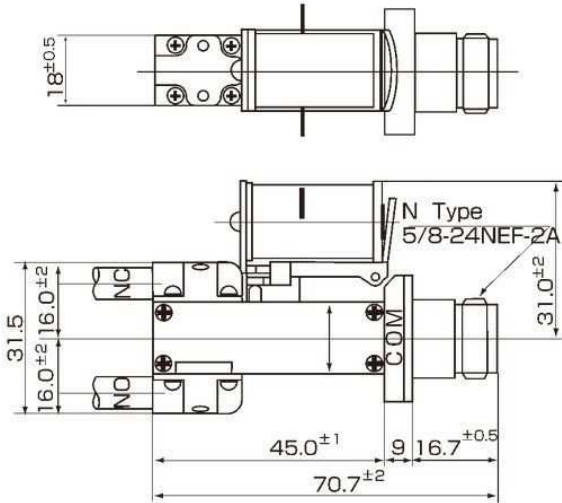
Pull In	10 V DC - 14 V DC (12 V DC nominal)
Drop Out	3 V DC min.

SWITCHING TIME :

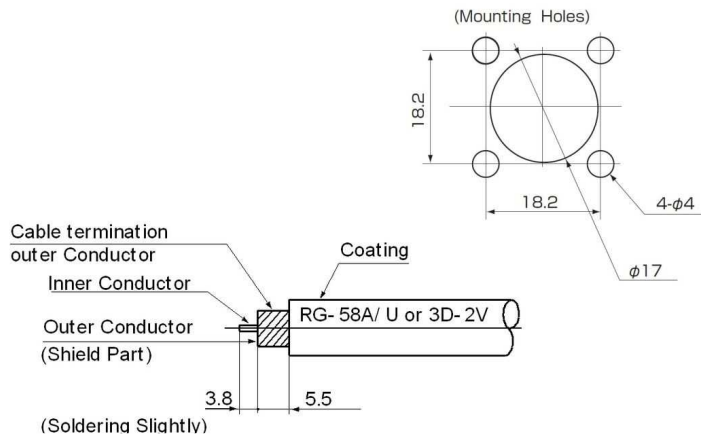
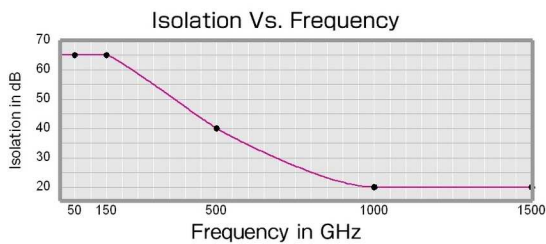
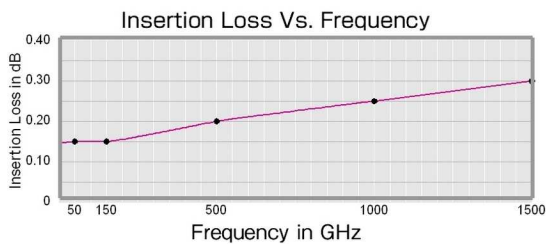
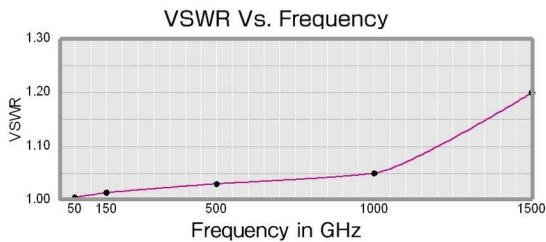
Pull In	20 ms max.
Drop Out	15 ms max.
Life Expectancy	1.000.000 Operations min.

Coaxial Relay CX-531N

DIMENSIONS :



Typical Operating Curves :



Schematic:

