

# Data Sheet

## Coaxial Relay CX-230L 24 V



### MECHANICAL CHARACTERISTICS :

Contact Arrangement	.....	SPDT
Operational Temperature	.....	- 25°C to + 50°C
Max Temperature Rise	.....	20°C
Weight	.....	Approx. 230 g
Mounting	.....	Two screws
Cable Connections	.....	3 BNC-LR Type female connectors

### ELECTRICAL CHARACTERISTICS :

Impedance	.....	50 Ohms
Nominal Voltage	.....	24 V DC
Voltage Range	.....	20 V DC - 26 V DC
Current	.....	80 mA @24 V DC 20°C
Coil Resistance	.....	300 ±10% Ohms @ 20°C

### RF-PROPERTIES :

Frequency MHz	VSWR max	Isolation -dB(min)	Ins. Loss -dB(max)	RF Power input W
50	1.05	56	0.05	300
150	1.10	42	0.05	300
500	1.15	30	0.10	300
1000	1,30	24	0.20	200

### ACTUATION DATA :

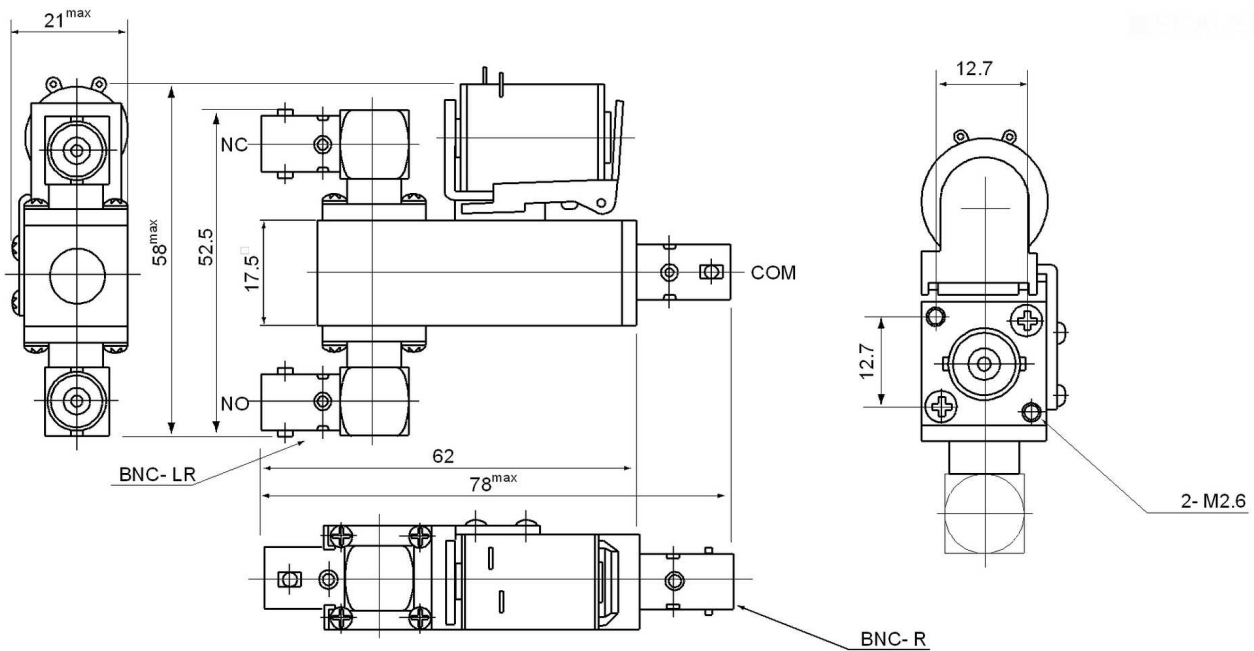
Pull In	.....	20 V DC - 26 V DC (24 V DC nominal)
Drop Out	.....	6.9 V DC min.

### SWITCHING TIME :

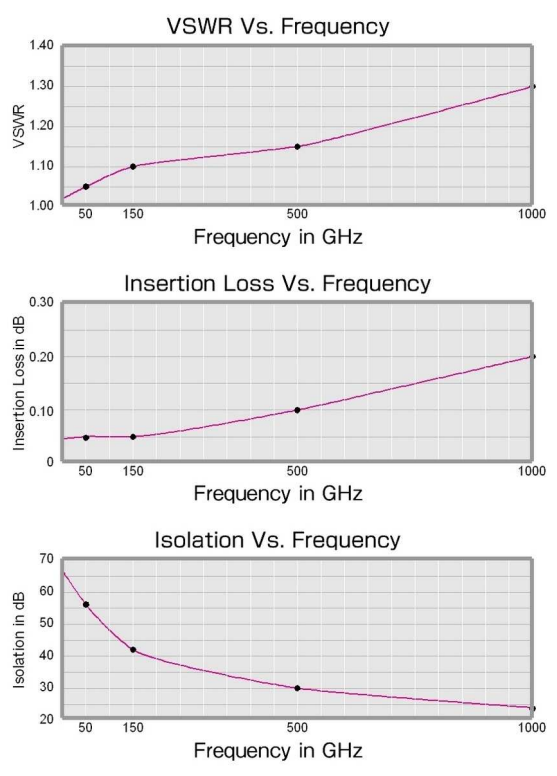
Pull In	.....	20 ms typical
Drop Out	.....	15 ms typical
Life Expectancy	.....	500.000 Operations min.

# Coaxial Relay CX-230L 24 V

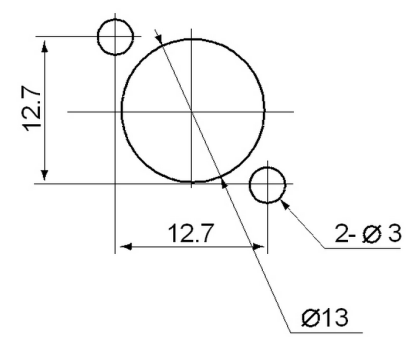
## DIMENSIONS :



## Typical Operating Curves :



(Mounting Holes)



## Schematic:

