

Data Sheet

Coaxial Relay CX-230L



MECHANICAL CHARACTERISTICS :

| | | |
|-------------------------|-------|---------------------------------|
| Contact Arrangement | | SPDT |
| Operational Temperature | | - 25°C to + 50°C |
| Max Temperature Rise | | 20°C |
| Weight | | Approx. 230 g |
| Mounting | | Two screws |
| Cable Connections | | 3 BNC-LR Type female connectors |

ELECTRICAL CHARACTERISTICS :

| | | |
|-----------------|-------|-----------------------|
| Impedance | | 50 Ohms |
| Nominal Voltage | | 12 V DC |
| Voltage Range | | 10 V DC - 14 V DC |
| Current | | 160 mA @ 12 V DC 20°C |
| Coil Resistance | | 75 ±10% Ohms @ 20°C |

RF-PROPERTIES :

| Frequency MHz | VSWR max | Isolation -dB(min) | Ins. Loss -dB(max) | RF Power input W |
|------------------|-------------|-----------------------|-----------------------|---------------------|
| 50 | 1.05 | 56 | 0.05 | 300 |
| 150 | 1.10 | 42 | 0.05 | 300 |
| 500 | 1.15 | 30 | 0.10 | 300 |
| 1000 | 1,30 | 24 | 0.20 | 200 |

ACTUATION DATA :

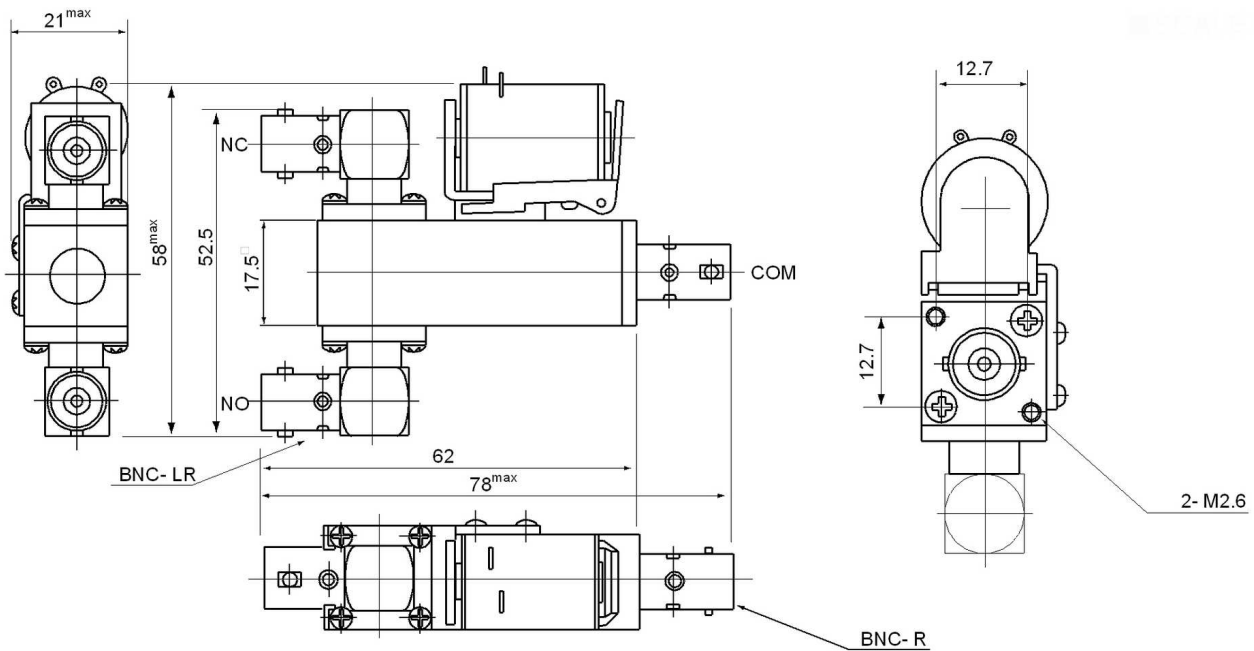
| | | |
|----------|-------|-------------------------------------|
| Pull In | | 10 V DC - 14 V DC (12 V DC nominal) |
| Drop Out | | 3 V DC min. |

SWITCHING TIME :

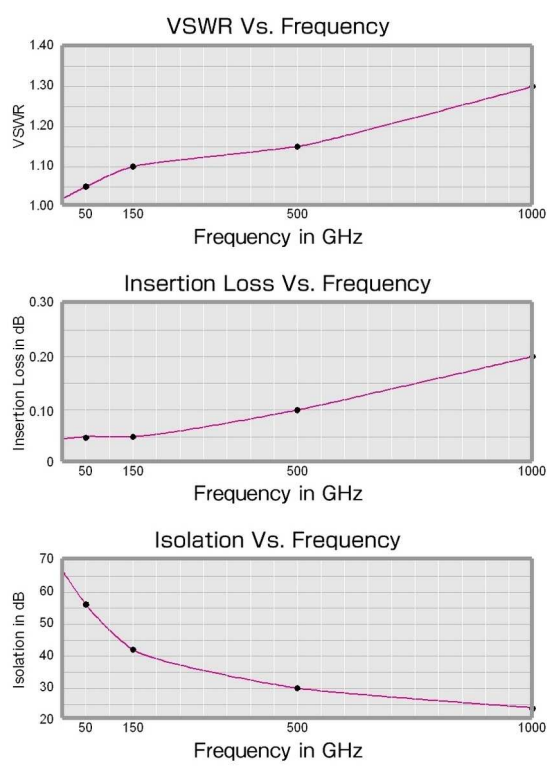
| | | |
|-----------------|-------|---------------------------|
| Pull In | | 20 ms typical |
| Drop Out | | 15 ms typical |
| Life Expectancy | | 1.000.000 Operations min. |

Coaxial Relay CX-230L

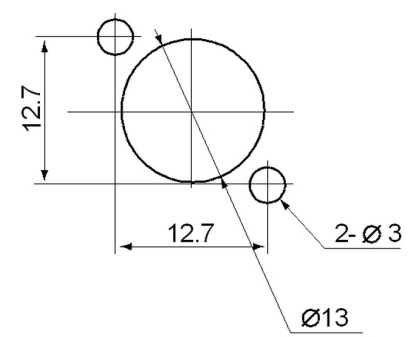
DIMENSIONS :



Typical Operating Curves :



(Mounting Holes)



Schematic:

