

Data Sheet

Coaxial Relay CX-230



MECHANICAL CHARACTERISTICS :

Contact Arrangement	SPDT
Operational Temperature	- 25°C to + 50°C
Max Temperature Rise	20°C
Weight	Approx. 230 g
Mounting	Two screws
Cable Connections	3 BNC Type female connectors

ELECTRICAL CHARACTERISTICS :

Impedance	50 Ohms
Nominal Voltage	12 V DC
Voltage Range	10 V DC - 14 V DC
Current	160 mA @ 12 V DC 20°C
Coil Resistance	75 ±10% Ohms @ 20°C

RF-PROPERTIES :

Frequency MHz	VSWR max	Isolation -dB(min)	Ins. Loss -dB(max)	RF Power input W
50	1.05	56	0.05	300
150	1.10	42	0.05	300
500	1.15	30	0.10	300
1000	1.30	24	0.20	200

ACTUATION DATA :

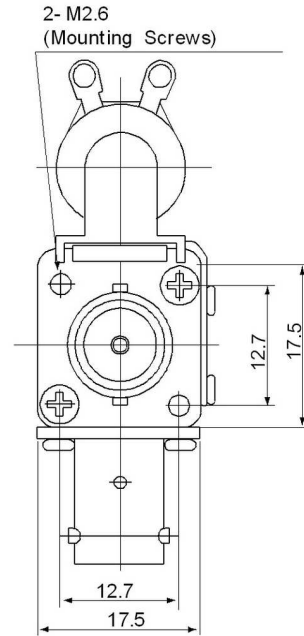
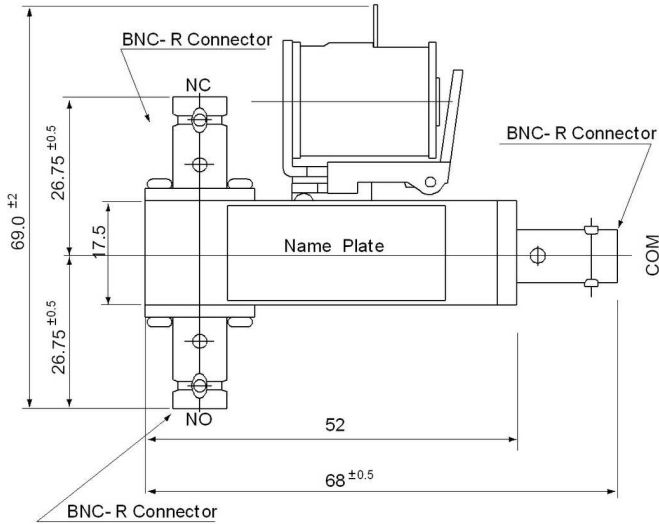
Pull In	10 V DC - 14 V DC (12 V DC nominal)
Drop Out	3 V DC min.

SWITCHING TIME :

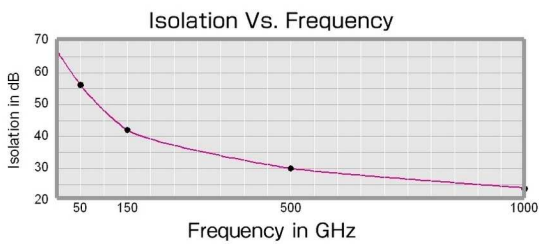
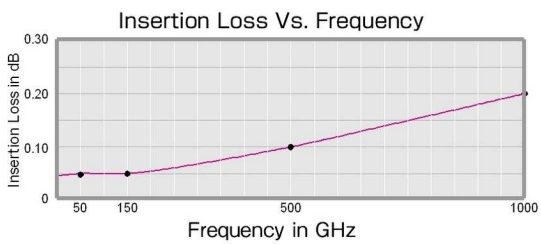
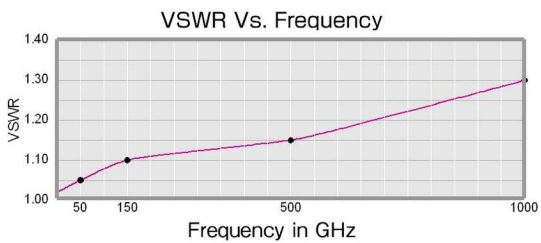
Pull In	20 ms typical
Drop Out	15 ms typical
Life Expectancy	1.000.000 Operations min.

Coaxial Relay CX-230

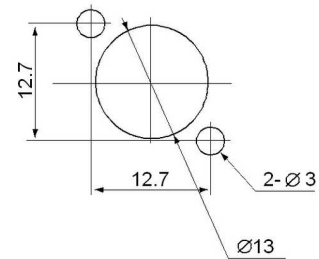
DIMENSIONS :



Typical Operating Curves :



(Mounting Holes)



Schematic:

