

Data Sheet

Coaxial Relay CX-120P



MECHANICAL CHARACTERISTICS :

Contact Arrangement	SPDT
Operational Temperature	- 25°C to + 50°C
Max Temperature Rise	20°C
Weight	Approx. 70 g
Mounting	Printed Board only

ELECTRICAL CHARACTERISTICS :

Impedance	50 Ohms
Nominal Voltage	12 V DC
Voltage Range	10 V DC - 14 V DC
Current	80 mA @ 12 V DC 20°C
Coil Resistance	150 ±10% Ohms @ 20°C

RF-PROPERTIES :

Frequency MHz	VSWR max	Isolation -dB(min)	Ins. Loss -dB(max)	RF Power input W
50	1.05	60	0.05	250
150	1.10	50	0.10	200
500	1.30	40	0.20	150
1000	1.40	29	0.25	150

ACTUATION DATA :

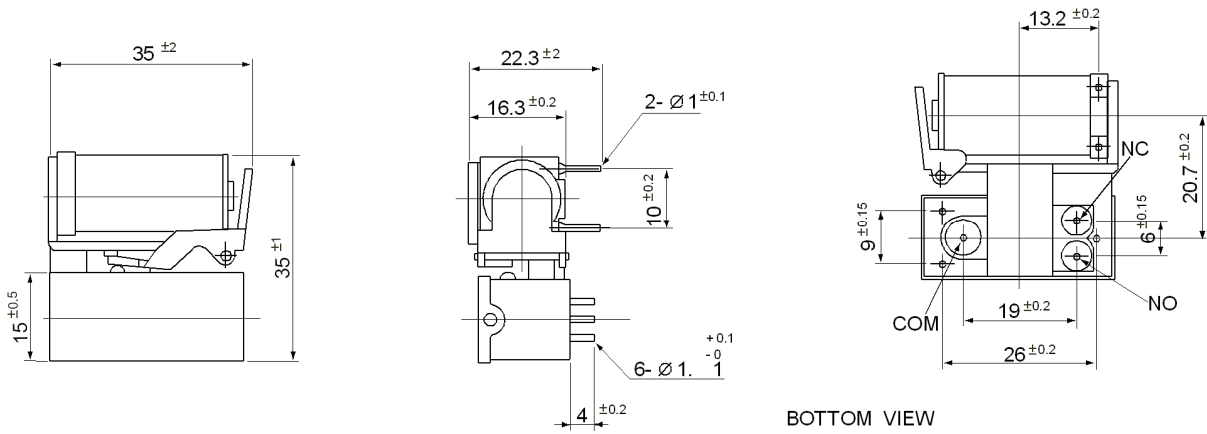
Pull In	10 V DC - 14 V DC (12 V DC nominal)
Drop Out	3 V DC min.

SWITCHING TIME :

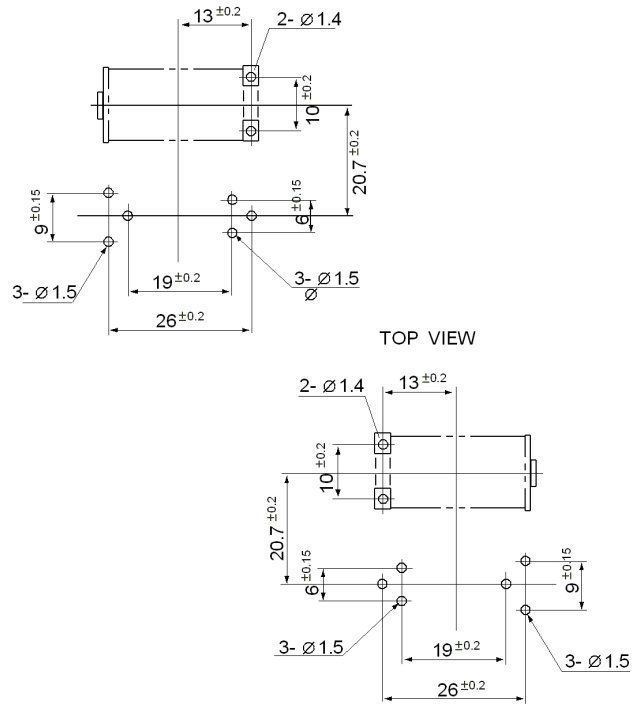
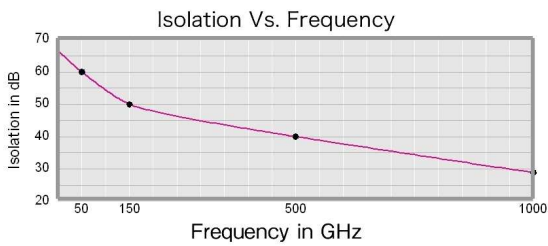
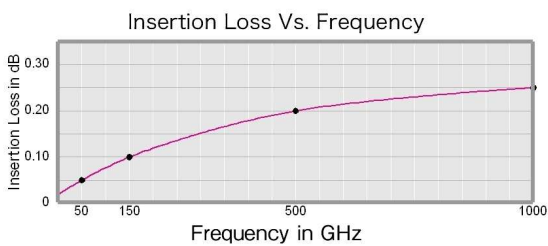
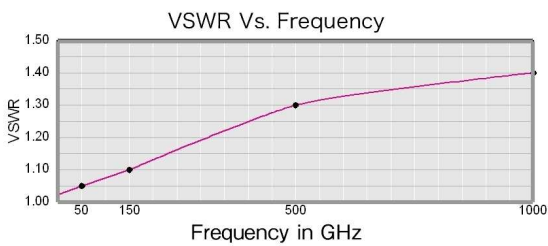
Pull In	20 ms typical
Drop Out	15 ms typical
Life Expectancy	500.000 Operations min.

Coaxial Relay CX-120P

DIMENSIONS :



Typical Operating Curves :



Schematic:

