

Data Sheet

Coaxial Relay CX-120A 24 V



MECHANICAL CHARACTERISTICS :

Contact Arrangement	SPDT
Operational Temperature	- 25 °C to + 50 °C
Max Temperature Rise	20 °C
Weight	Approx. 70 g
Mounting	Two screws
Cable Connections	Directly connect cables (solder/clamp)

ELECTRICAL CHARACTERISTICS :

Impedance	50 Ohms
Nominal Voltage	24 V DC
Voltage Range	20 V DC - 26 V DC
Current	40 mA @24 V DC 20 °C
Coil Resistance	600 ±10% Ohms @ 20 °C

RF-PROPERTIES :

Frequency	VSWR	Isolation	Ins. Loss	RF Power input
MHz	max	-dB(min) ±3 dB	-dB(max)	W (PEP)
50	1.05	60	0.05	250
150	1.01	50	0.10	200
500	1.30	40	0.20	150
1000	1.40	29	0.25	150

ACTUATION DATA :

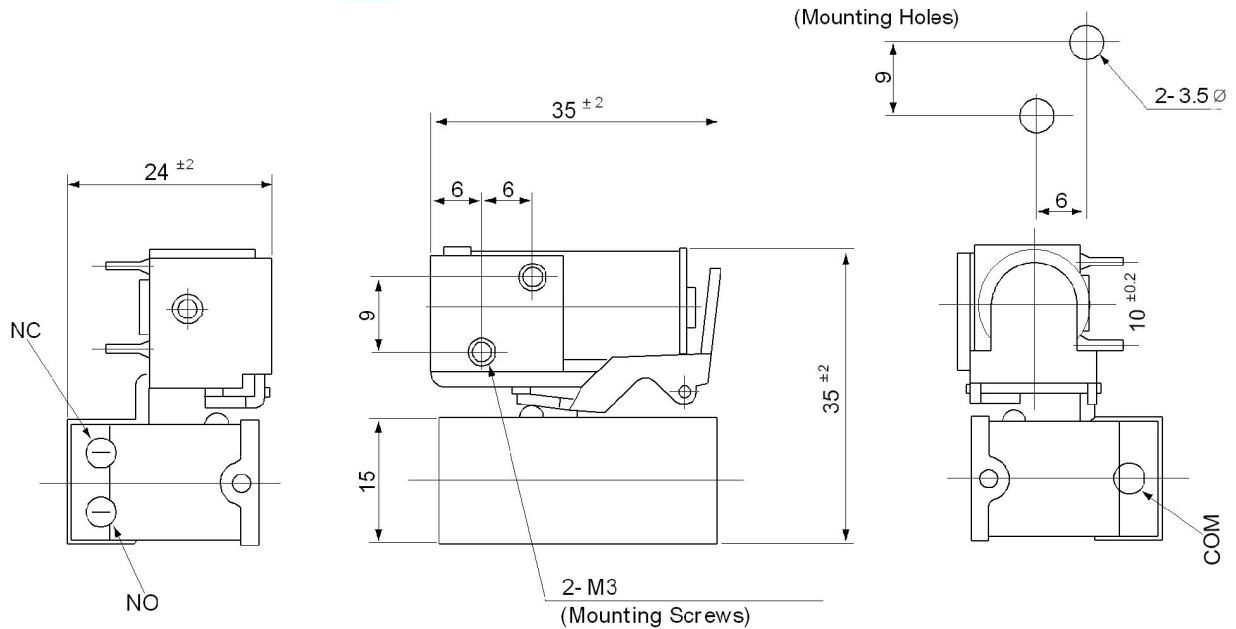
Pull In	20 V DC - 26 V DC (24 V DC Nominal)
Drop Out	6,9 V DC min.

SWITCHING TIME :

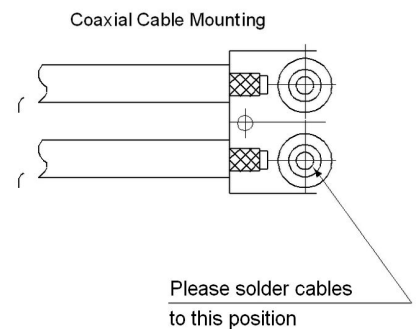
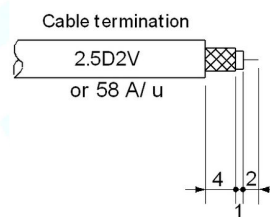
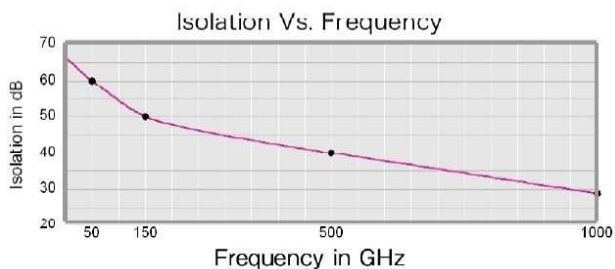
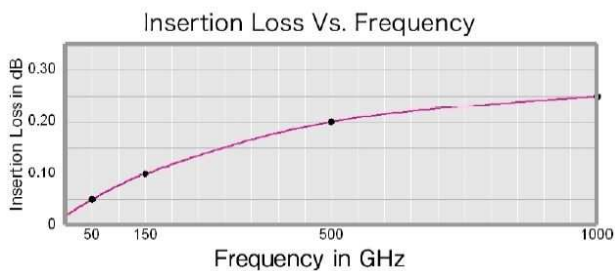
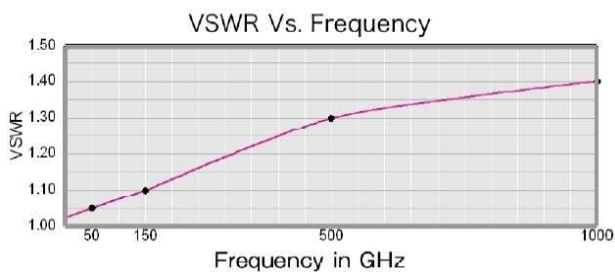
Pull In	20 ms max.
Drop Out	15 ms max.
Life Expectancy	500.000 Operations min.

Coaxial Relay CX-120A 24 V

DIMENSIONS :



Typical Operating Curves :



Schematic:

