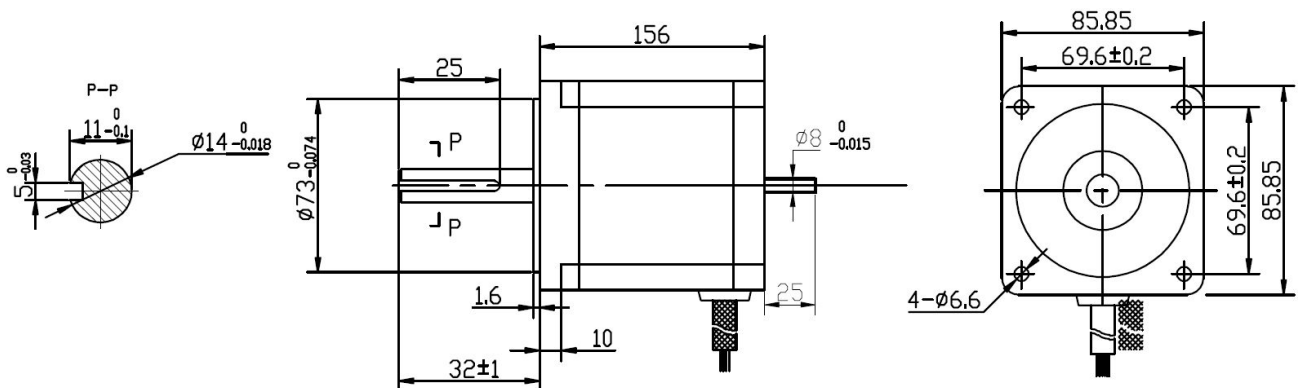
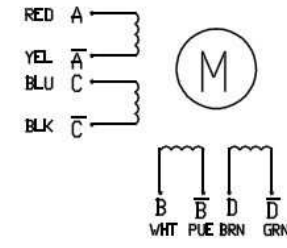
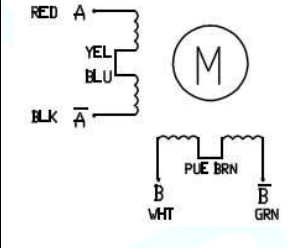
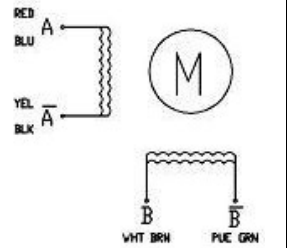


# Hybrid Stepper Motor 86BYGH450H-03AA

## Mechanical Dimensions:



## Electrical Specifications:

	Unipolar	Bipolar Serial	Bipolar Parallel
			
No. of phases	4	2	2
Step Angle	$1.8 \pm 0.09^\circ$		
Rated Voltage (V)	5.8	8.2	4.1
Current (A)	6.0	4.2	8.4
Resistance ( $\Omega$ )	0.97	1.94	0.48
Inductance (mH)	5.65	22.5	5.65
Holding Torque coils on DC (Nm)	12.0	15.3	15.3
Holding Torque step mode (Nm)	8.5	10.8	10.8
Rotor Inertia (kgcm <sup>2</sup> )	4.9		
Insulation Class	B		
Insulation Resistance	100M $\Omega$ . 500VDC		
Weight (kg)	5.4		