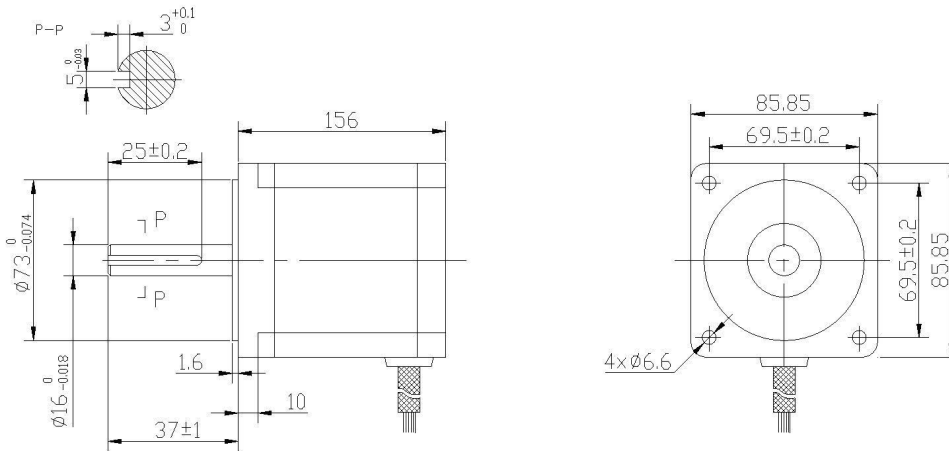
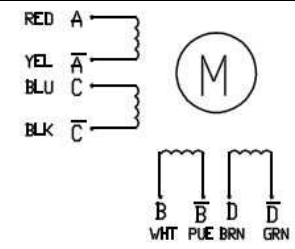
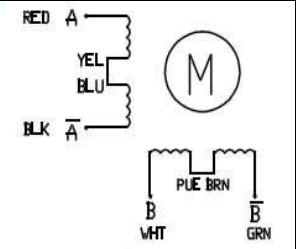
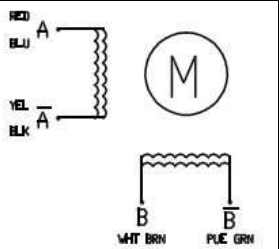


# Hybrid Stepper Motor 86BYGH450H-02

## Mechanical Dimensions:



## Electrical Specifications:

|                                    | Unipolar  | Bipolar Serial   | Bipolar Parallel  |
|------------------------------------|---|--|---|
|                                    |  |  |  |
| No. of phases                      | 4   | 2  | 2   |
| Step Angle                         | 1.8 ± 0.09°   |  |   |
| Rated Voltage (V)                  | 6.3   | 8.9  | 4.5   |
| Current (A)                        | 5.0   | 3.5  | 7.0   |
| Resistance (Ω)                     | 1.26  | 2.52   | 0.63  |
| Inductance (mH)                    | 7.1   | 28.4   | 7.1   |
| Holding Torque (Nm)                | 12  | 14.9   | 14.9  |
| Rotor Inertia (Kgcm <sup>2</sup> ) | 4.9   |  |   |
| Insulation Class                   | B   |  |   |
| Insulation Resistance              | 100MΩ, 500VDC???  |  |   |
| Weight (kg)                        | 5.4   |  |   |