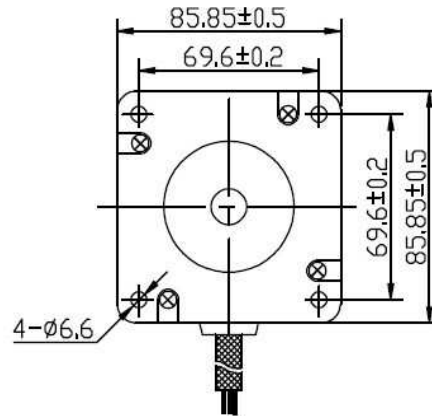
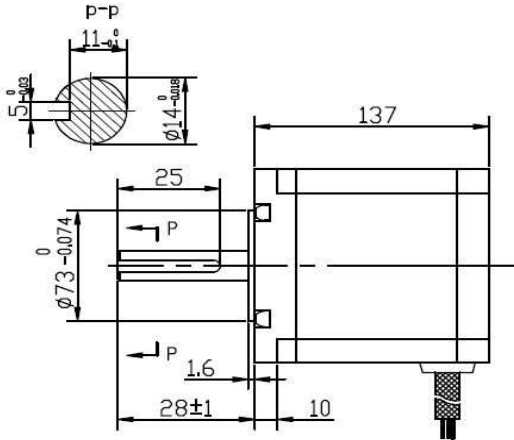
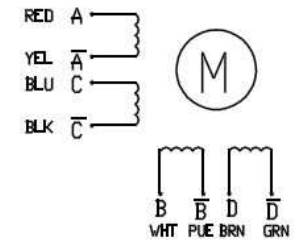
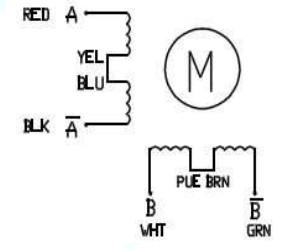
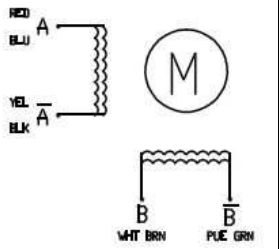


Hybrid Stepper Motor 86BYGH450G-02

Mechanical Dimensions:



Electrical Specifications:

	Unipolar	Bipolar Serial	Bipolar Parallel
			
No. of phases	4	2	2
Step Angle	$1.8 \pm 0.09^{\circ}$		
Rated Voltage (V)	5.7	8.0	4.0
Current (A)	4.0	2.8	5.7
Resistance (Ω)	1.43	2.86	0.72
Inductance (mH)	8.2	32.9	8.2
Holding Torque (Nm)	9.4	12	12
Rotor Inertia (Kgcm ²)	3.3		
Insulation Class	B		
Insulation Resistance	100M Ω , 500VDC???		
Weight (kg)	4.6		