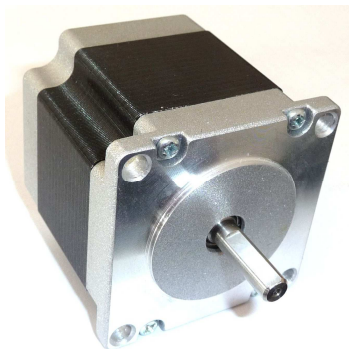
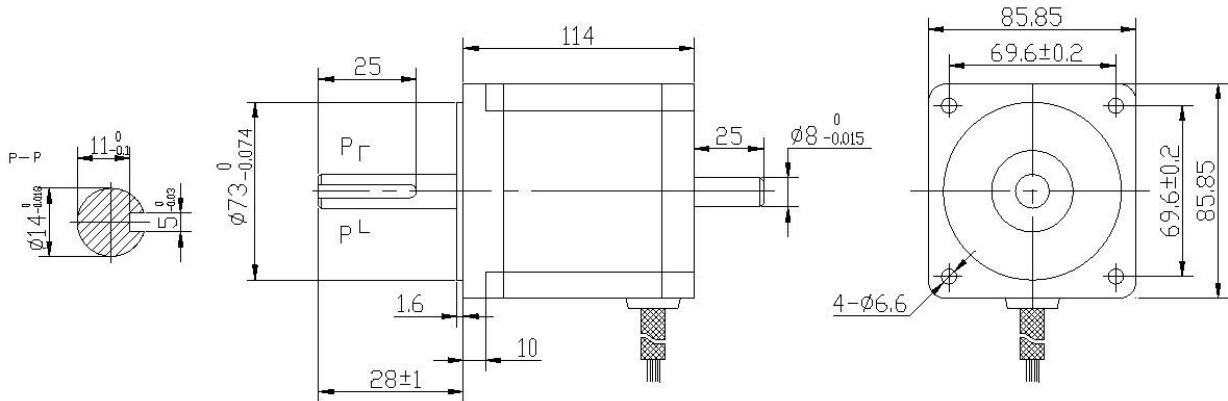
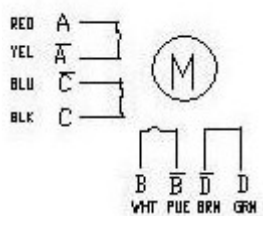
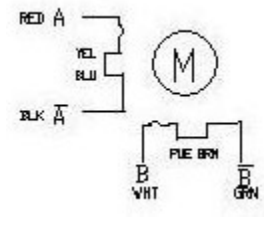
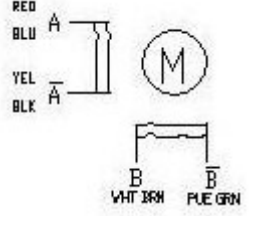


# Hybrid Stepper Motor 86BYGH450E-03C

## Mechanical Dimensions:



## Electrical Specifications:

	Unipolar	Bipolar Serial	Bipolar Parallel
			
No. of Phases	4	2	2
Step Angle	1.8 ± 0.09°		
Rated Voltage (V)	5,2	7,35	3,68
Current (A)	4,0	2,8	5,65
Resistance (Ω)	1,3	2,6	0,65
Inductance (mH)	6	24	6
Holding Torque coils on DC (Nm)	7,3	10,0	10,0
Rotor Inertia (kgcm²)	3,5		
Insulation Class	B		
Weight (kg)	3,6		

07.01.19