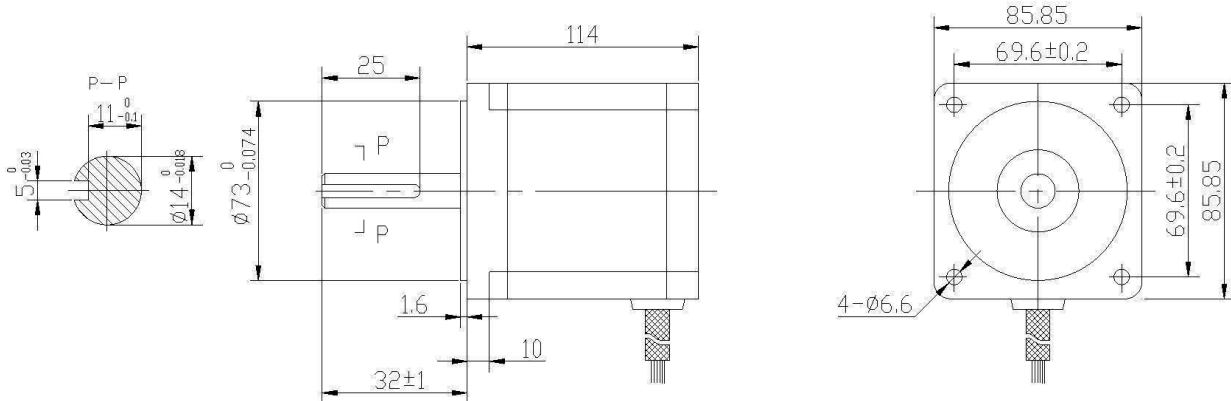
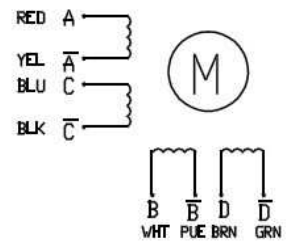
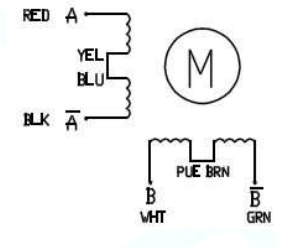
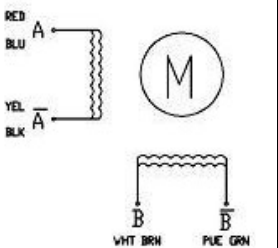


Hybrid Stepper Motor 86BYGH450E-03B

Mechanical Dimensions:



Electrical Specifications:

	Unipolar	Bipolar Serial	Bipolar Parallel
			
No. of phases	4	2	2
Step Angle	1.8 ± 0.09°		
Rated Voltage (V)	5,2	7,35	3,68
Current (A)	4,0	2,8	5,65
Resistance (Ω)	1,3	2,6	0,65
Inductance (mH)	6	24	6
Holding Torque coils on DC (Nm)	7,3	10,0	10,0
Holding Torque step mode (Nm)	5.2	7.3	7.3
Rotor Inertia (kgcm ²)	3.5		
Insulation Class	B		
Insulation Resistance	100MΩ. 500VDC		
Weight (kg)	3.6		