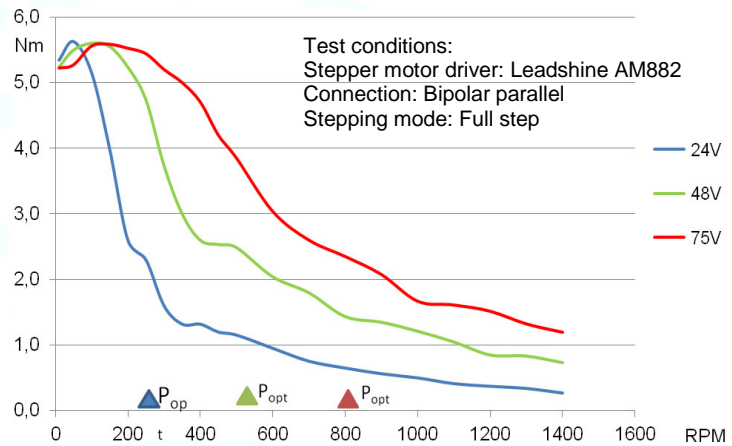
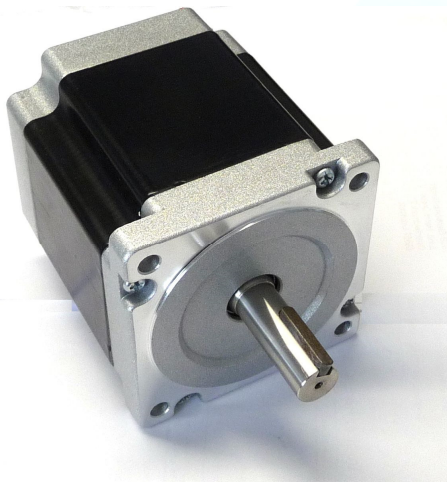
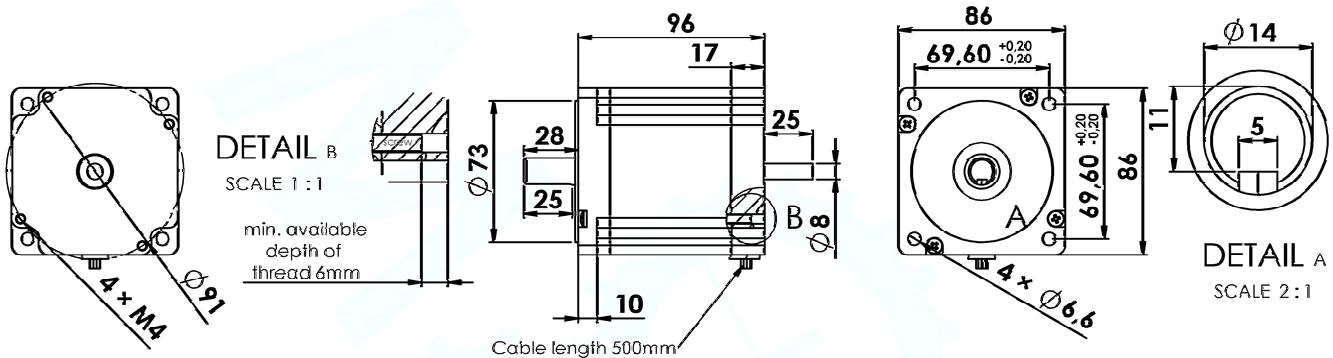
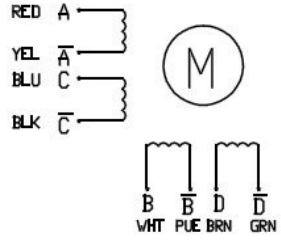
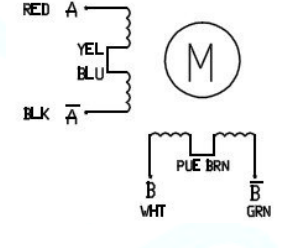
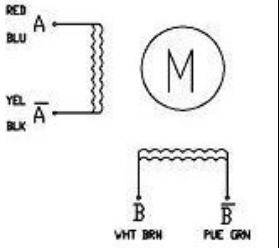


# Hybrid Stepper Motor 86BYGH450D-02A

## Mechanical Dimensions:



## Electrical Specifications:

	Unipolar	Bipolar Serial	Bipolar Parallel
			
No. of phases	4	2	2
Step Angle	1.8 ± 0.09°		
Rated Voltage (V)	4.2	6	3
Current (A)	4.5	3.2	6.4
Resistance (Ω)	0.94	1.88	0.47
Inductance (mH)	4.2	16.8	4.2
Holding Torque (Nm)	4.1	5.8	5.8
Dynamic Torque (Nm)			
Rotor Inertia (kgcm <sup>2</sup> )	2.7		
Insulation Class	B		
Insulation Resistance	100MΩ. 500VDC		
Weight (kg)	3		