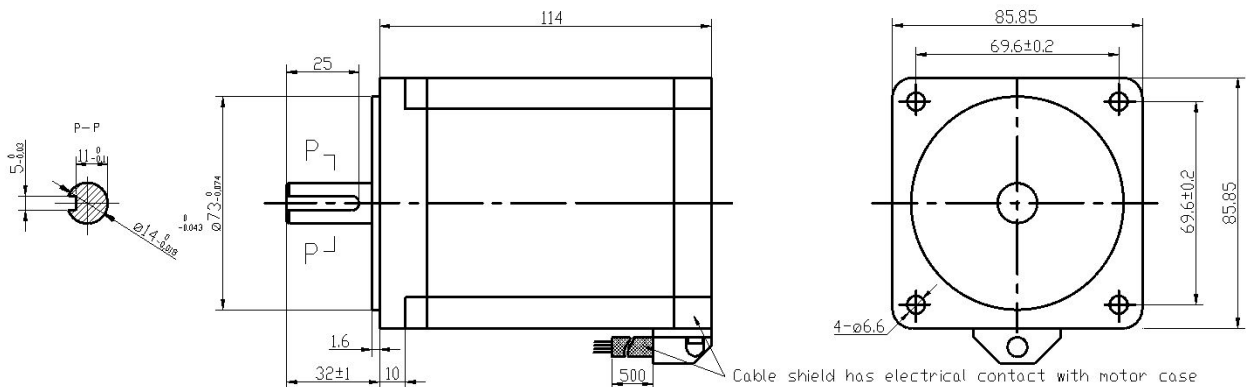


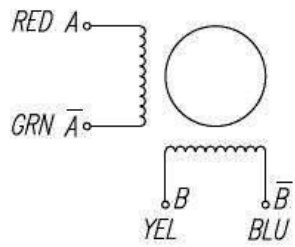
# Hybrid Stepper Motor 86BYGH250E-03BR

Motor with shielded cable and cable grommet

## Mechanical Dimensions:



## Electrical Specifications:

|                                    | Bipolar   |               |  |
|------------------------------------|---|---------------|--|
|                                    |  |               |  |
| No. of phases                      | 2   |               |  |
| Step Angle                         |   | 1.8 ± 0.09°   |  |
| Rated Voltage (V)                  | 3,68  |               |  |
| Current (A)                        | 5,65  |               |  |
| Resistance (Ω)                     | 0,65  |               |  |
| Inductance (mH)                    | 6   |               |  |
| Holding Torque coils on DC (Nm)    | 10,3  |               |  |
| Holding Torque step mode (Nm)      | 7.3   |               |  |
| Rotor Inertia (kgcm <sup>2</sup> ) |   | 3.5           |  |
| Insulation Class                   |   | B             |  |
| Insulation Resistance              |   | 100MΩ. 500VDC |  |
| Weight (kg)                        |   | 3.6           |  |