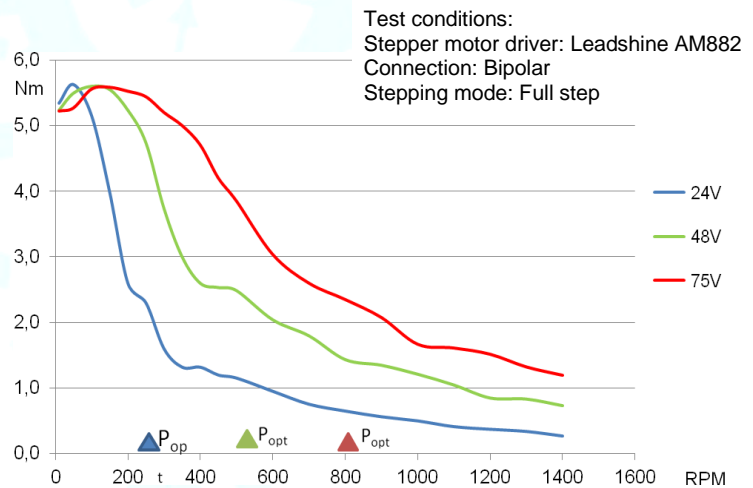
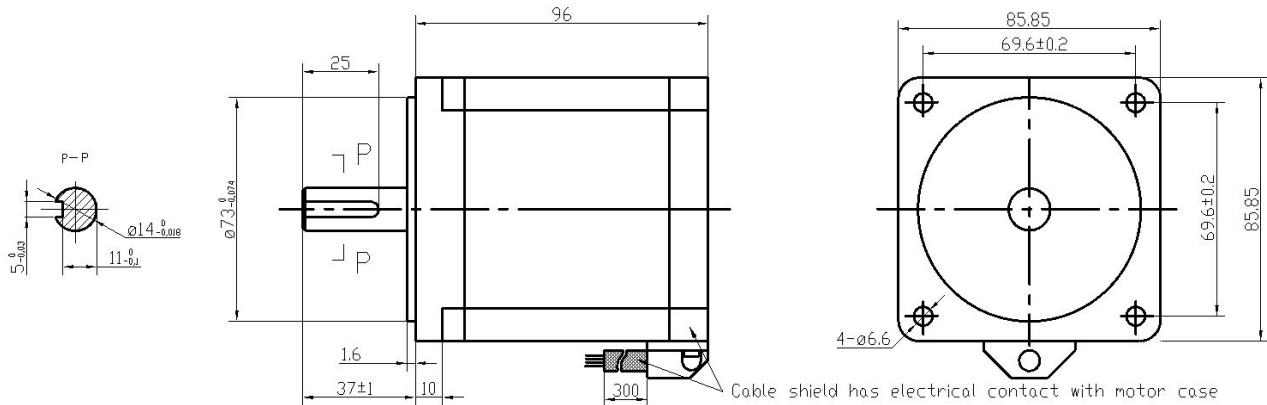


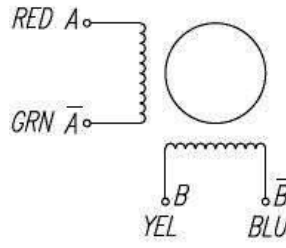
Hybrid Stepper Motor 86BYGH250D-02R

Motor with shielded cable and cable grommet

Mechanical Dimensions:



Electrical Specifications:

	Bipolar		
			
No. of phases	2		
Step Angle		$1.8 \pm 0.09^\circ$	
Rated Voltage (V)	3		
Current (A)	6.4		
Resistance (Ω)	0.47		
Inductance (mH)	4.2		
Holding Torque coils on DC (Nm)	8.2		
Holding Torque step mode (Nm)	5.8		
Rotor Inertia (kgcm ²)		2.7	
Insulation Class		B	
Insulation Resistance		100M Ω . 500VDC	
Weight (kg)		3	