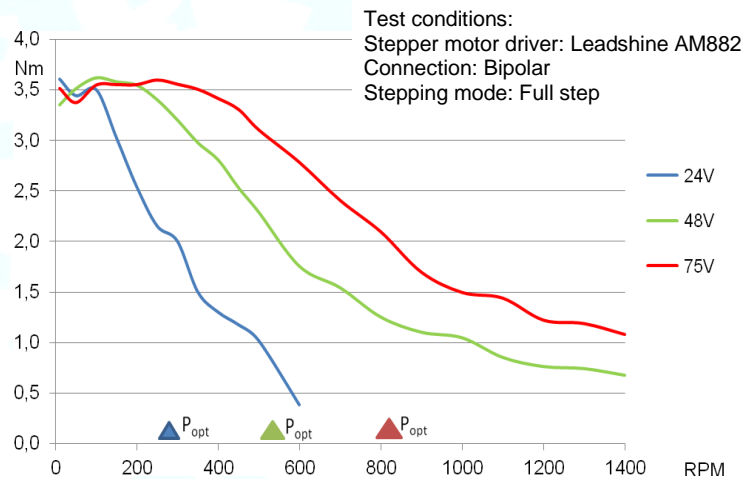
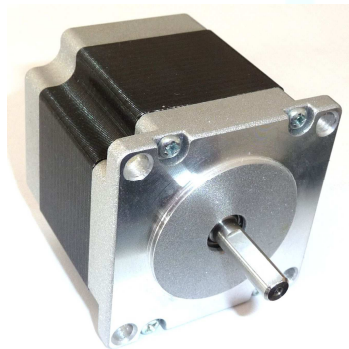
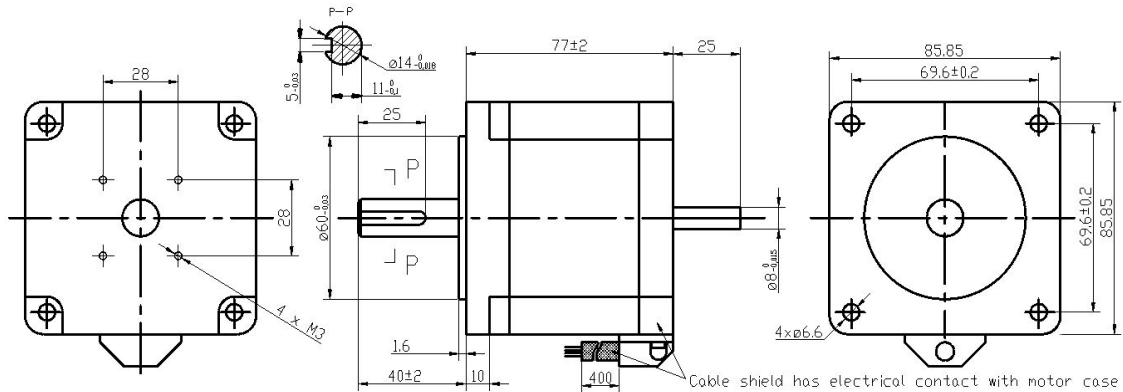


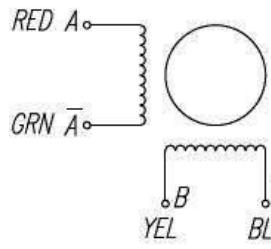
Hybrid Stepper Motor 86BYGH250B-10R

Motor with shielded cable and cable grommet. Optional: 6pin round connector

Mechanical Dimensions:



Electrical Specifications:

Optional: 6 pin round connector	Bipolar		
Cable length 300 mm: Pin 1: A (RED) Pin 2: A/ (GRN) Pin 3: B/ (BLU) Pin 4: B (YEL)			
Cable length 500 mm: Pin 5: black wire 0.5 ² Pin 6: black wire 0.5 ²			
No. of phases	2		
Step Angle	1.8 ± 0.09°		
Rated Voltage (V)	2.3		
Current (A)	5.9		
Resistance (Ω)	0.38		
Inductance (mH)	3.5		
Holding Torque coils on DC (Nm)	5.4		
Holding Torque step mode (Nm)	3.8		
Rotor Inertia (kgcm ²)	1.7		
Insulation Class	B		
Insulation Resistance	100MΩ. 500VDC		
Weight (kg)	2.2		