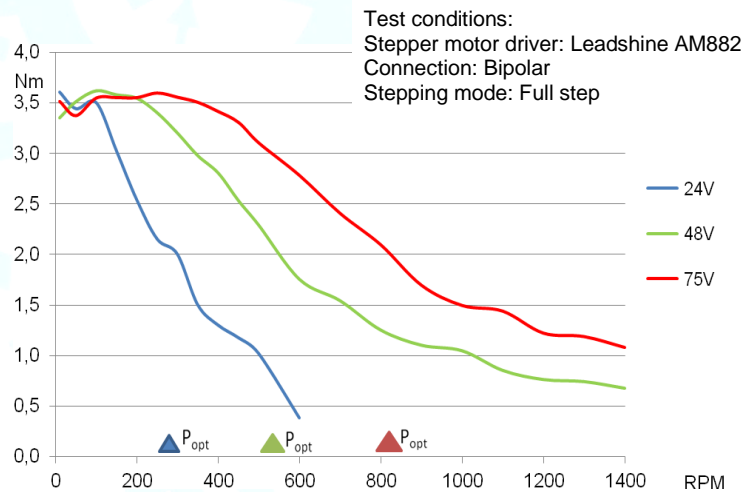
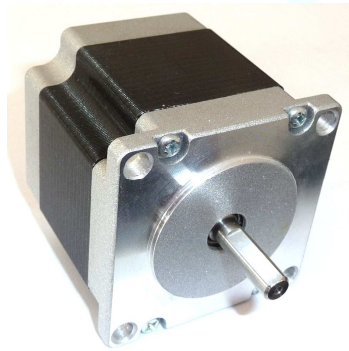
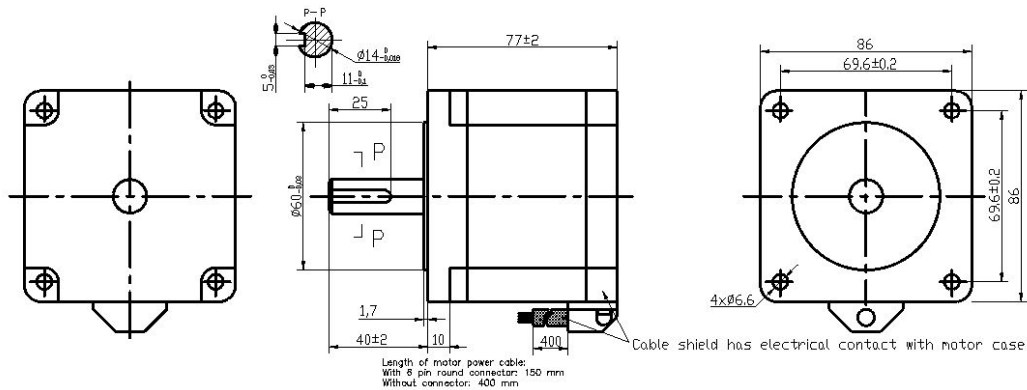


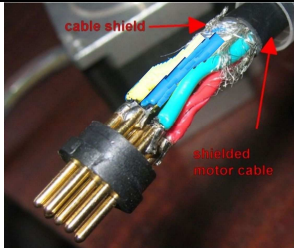
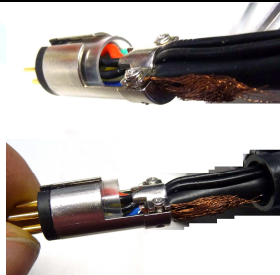
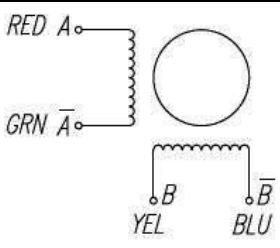
# Hybrid Stepper Motor 86BYGH250B-09R

Motor with shielded cable and cable grommet. Optional: 6pin round connector

## Mechanical Dimensions:



## Electrical Specifications:

Optional: 6 pin round connector			Bipolar
<b>Cable length 15 cm:</b> Pin 1: A (RED) (A+*) Pin 2: A/ (GRN) (A-*) Pin 3: B/ (BLU) (B+*) Pin 4: B (YEL) (B-*) <b>Cable length 500 mm:</b> Pin 5: black wire 0.5 <sup>2</sup> Pin 6: black wire 0.5 <sup>2</sup> * = connection at Leadshine DM556 drive, rotation CW !			
No. of phases			2
Step Angle	1.8 ± 0.09°		
Rated Voltage (V)			2.3
Current (A)			5.9
Resistance (Ω)			0.38
Inductance (mH)			3.5
Holding Torque coils on DC (Nm)			5.4
Holding Torque step mode (Nm)			3.8
Rotor Inertia (kgcm <sup>2</sup> )		1.7	
Insulation Class		B	
Insulation Resistance		100MΩ. 500VDC	
Weight (kg)		2.2	

08.10.18