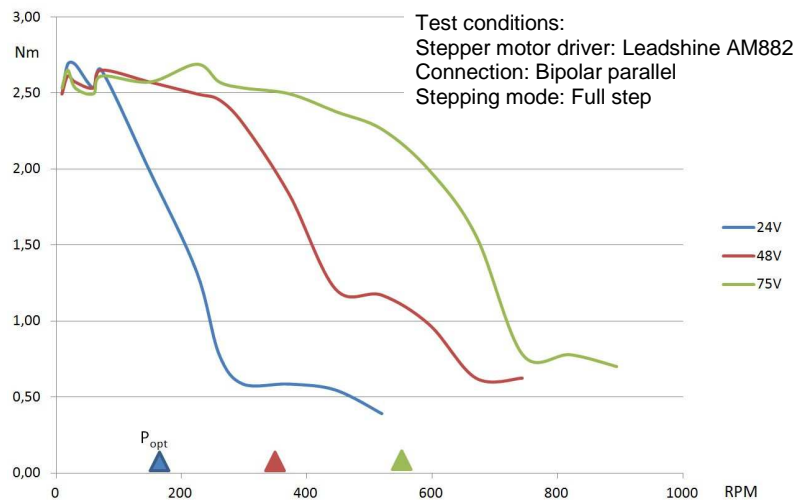
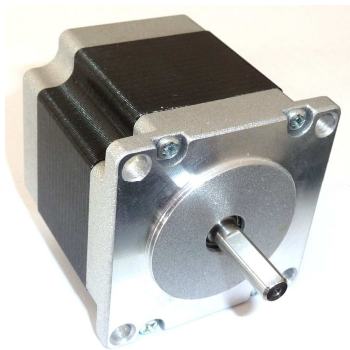
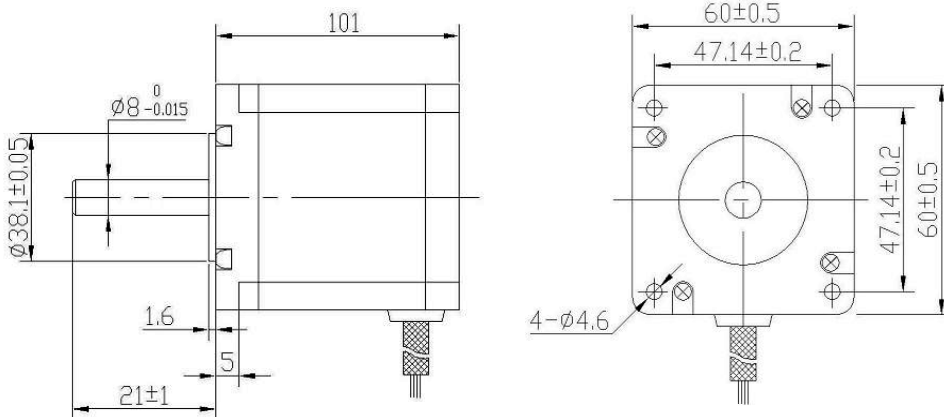
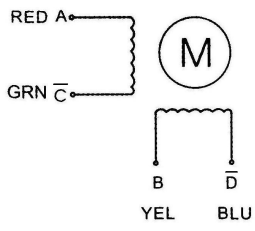


# Hybrid Stepper Motor 60BYGH250E-02

## Mechanical Dimensions:



## Electrical Specifications:

	Bipolar		
			
No. of phases	2		
Step Angle	$1.8^\circ \pm 0.09^\circ$		
Rated Voltage (V)	4.3		
Current (A)	3.6		
Resistance ( $\Omega$ )	$1.2 \pm 10\%$		
Inductance (mH)	$3.65 \pm 20\%$		
Holding Torque coils on DC (Nm)	3.7		
Holding Torque step mode (Nm)	2.62		
Rotor Inertia (gcm <sup>2</sup> )	1000		
Insulation Class	B		
Insulation Resistance	100 M $\Omega$ , 500 V DC		
Weight (kg)	1.62		