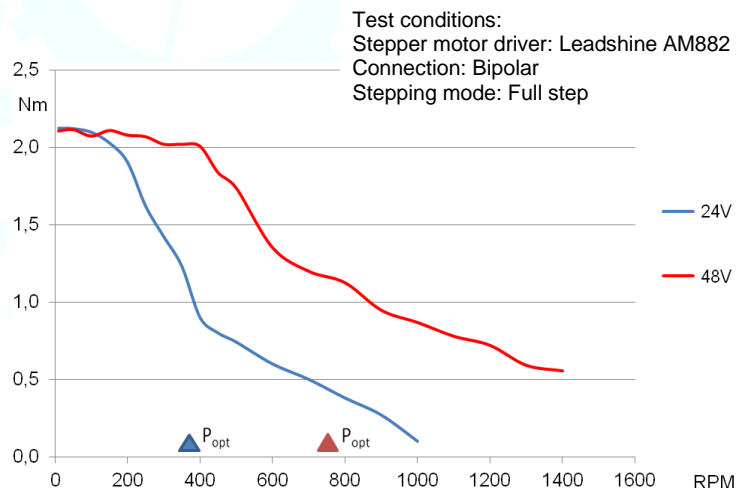
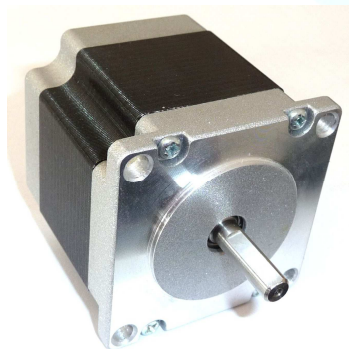
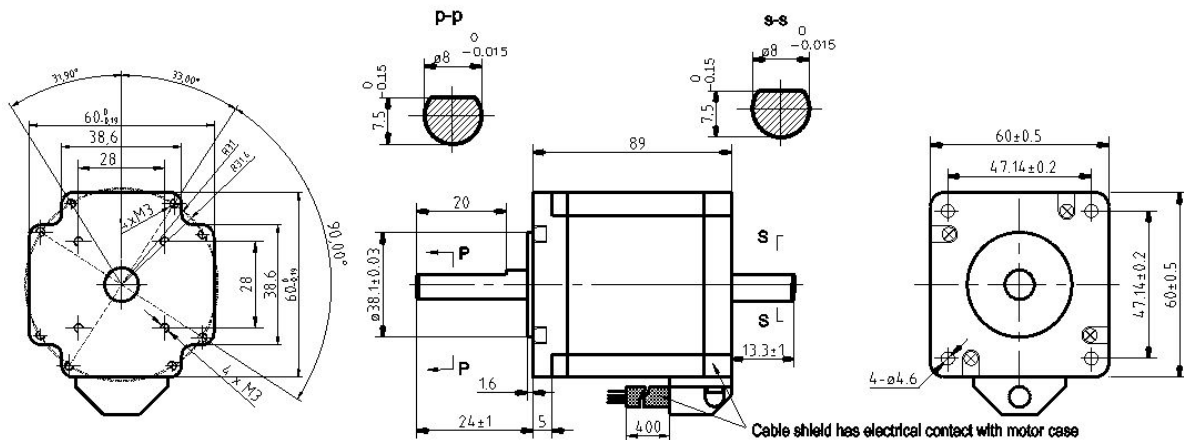


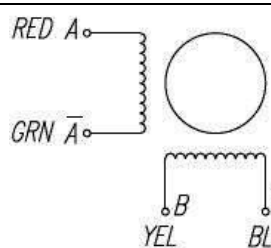
Hybrid Stepper Motor 60BYGH250D-09R

Motor with shielded cable and cable grommet. Optional: 6pin round connector

Mechanical Dimensions:



Electrical Specifications:

Optional: 6 pin round connector	Bipolar		
Cable length 300 mm: Pin 1: A (RED) Pin 2: A/ (GRN) Pin 3: B/ (BLU) Pin 4: B (YEL)			
Cable length 500 mm: Pin 5: black wire 0.5 ² Pin 6: black wire 0.5 ²			
No. of phases	2		
Step Angle	1.8 ± 0.09°		
Rated Voltage (V)	3.07		
Current (A)	4.2		
Resistance (Ω)	0.73		
Inductance (mH)	3.3		
Holding Torque coils on DC (Nm)	3.3		
Holding Torque step mode (Nm)	2.3		
Rotor Inertia (gcm ²)	840		
Insulation Class	B		
Insulation Resistance	100MΩ, 500VDC		
Weight (kg)	1.5		

11.02.16