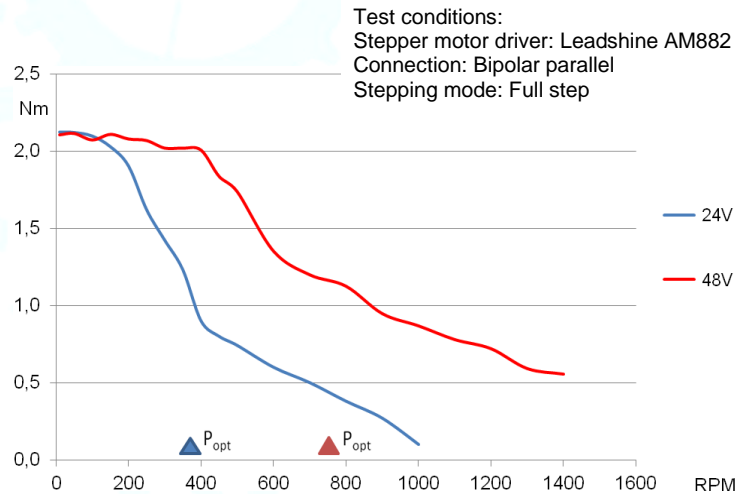
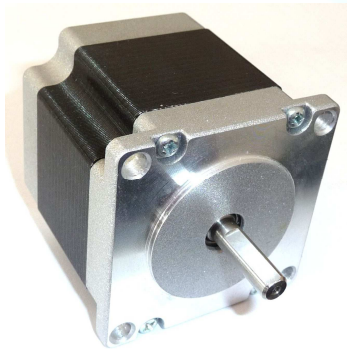
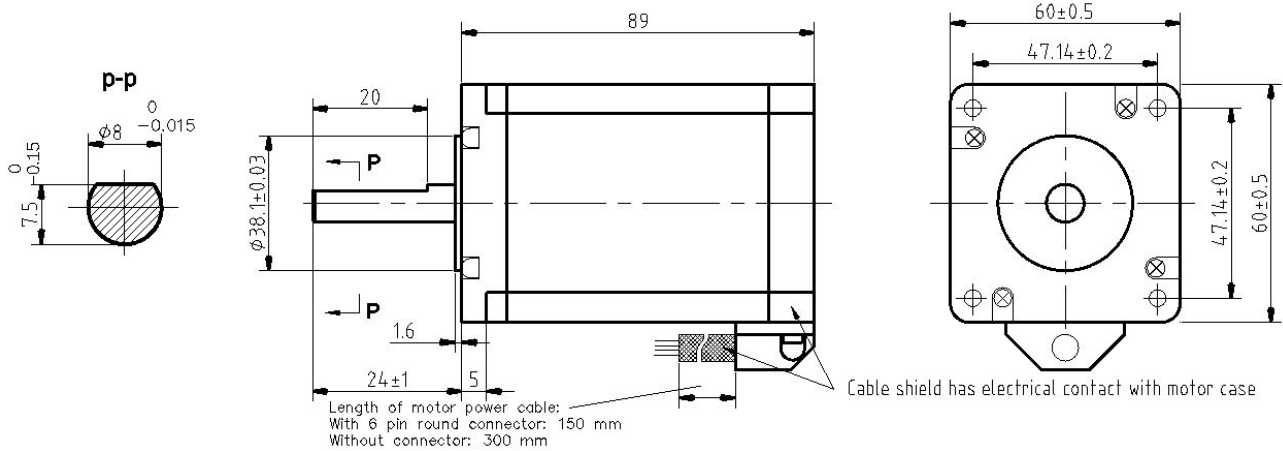


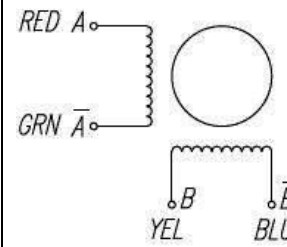
# Hybrid Stepper Motor 60BYGH250D-02BR

Motor with shielded cable and cable grommet, optional 6 pin round connector

## Mechanical Dimensions:



## Electrical Specifications:

Optional: 6 pin round connector		Bipolar	
Cable length 15 cm: Pin 1: A (RED) (A+*) Pin 2: A/ (GRN) (A-*) Pin 3: B/ (BLU) (B+*) Pin 4: B (YEL) (B-*) Cable length 500 mm: Pin 5: black wire 0.5 <sup>2</sup> Pin 6: black wire 0.5 <sup>2</sup> * = connection at Leadshine DM556 drive, rotation CW !			
No. of phases		2	
Step Angle	1.8 ± 0.09°		
Rated Voltage (V)	3.07		
Current (A)	4.2		
Resistance (Ω)	0.73		
Inductance (mH)	3.3		
Holding Torque coils on DC (Nm)	3.3		
Holding Torque step mode (Nm)	2.3		
Rotor Inertia (gcm <sup>2</sup> )	840		
Insulation Class	B		
Insulation Resistance	100MΩ, 500VDC		
Weight (kg)	1.5		

05.07.16