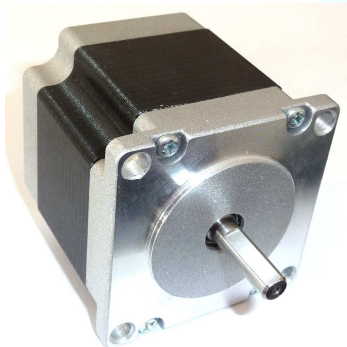
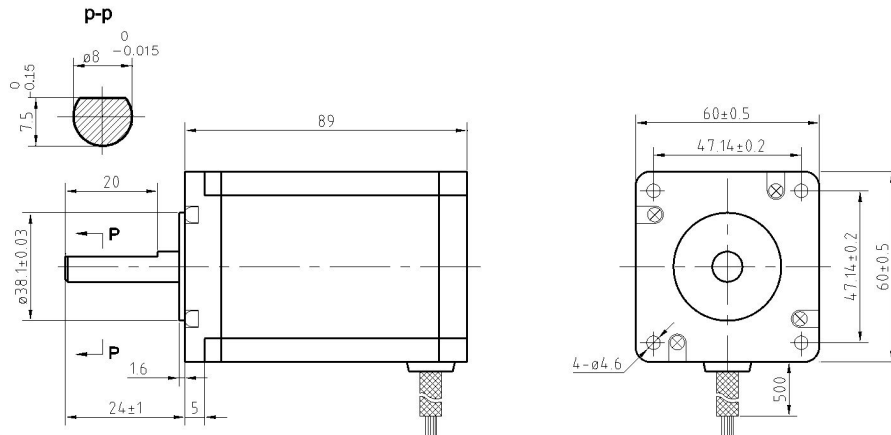
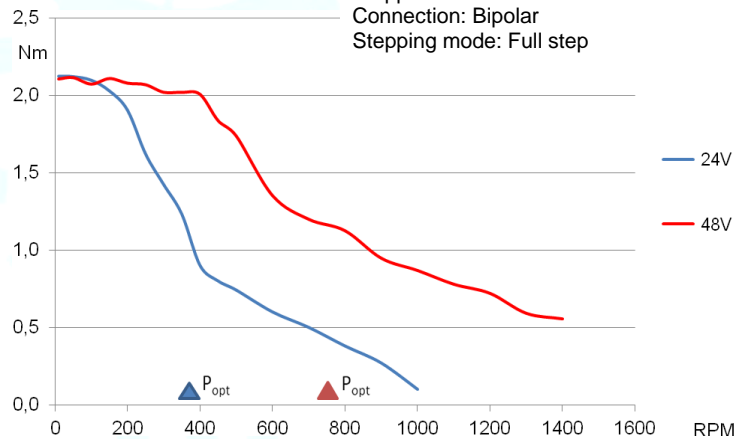


Hybrid Stepper Motor 60BYGH250D-02B

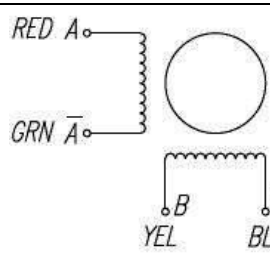
Mechanical Dimensions:



Test conditions:
 Stepper motor driver: Leadshine AM882
 Connection: Bipolar
 Stepping mode: Full step



Electrical Specifications:

		Bipolar	
			
No. of phases		2	
Step Angle		1.8 ± 0.09°	
Rated Voltage (V)		3.07	
Current (A)		4.2	
Resistance (Ω)		0.73	
Inductance (mH)		3.3	
Holding Torque coils on DC (Nm)		3.3	
Holding Torque step mode (Nm)		2.3	
Rotor Inertia (gcm ²)		840	
Insulation Class		B	
Insulation Resistance		100MΩ, 500VDC	
Weight (kg)		1.5	

08.05.14