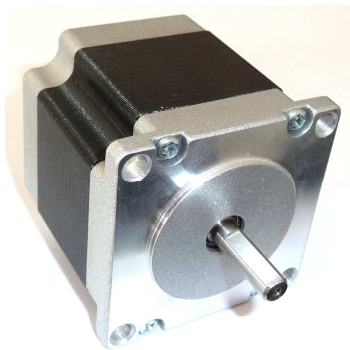
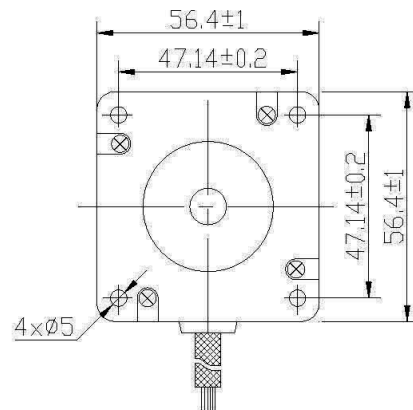
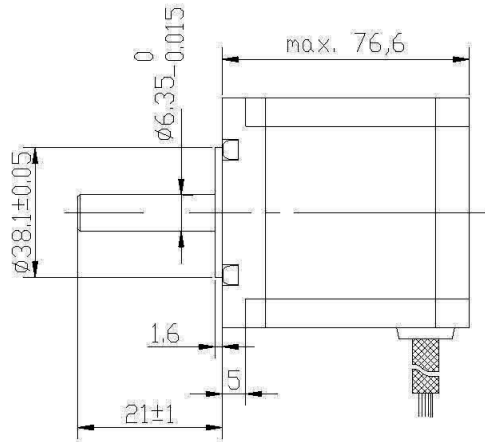
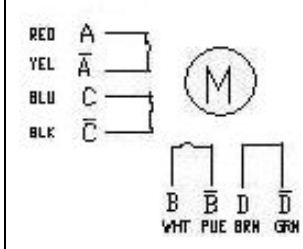
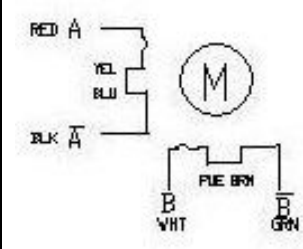
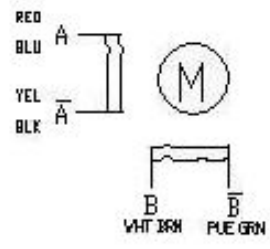


# Hybrid Stepper Motor 57BYGH450E-04

## Mechanical Dimensions:



## Electrical Specifications:

	Unipolar	Bipolar Serial	Bipolar Parallel
			
No. of phases	4	2	2
Step Angle	$1.8 \pm 0.09^\circ$		
Rated Voltage (V)	6.0	8.5	4.25
Current (A)	1.4	1.0	2.0
Resistance ( $\Omega$ )	4.3	8.6	2.15
Inductance (mH)	6.9	27.6	6.9
Holding Torque (Nm)	1.47	1.86	1.86
Rotor Inertia (gcm <sup>2</sup> )	480		
Insulation Class	B		
Insulation Resistance	100 M $\Omega$ , 500 V DC		
Weight (kg)	1.0		