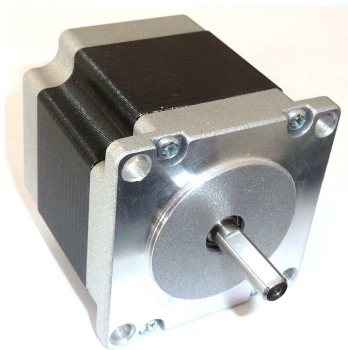
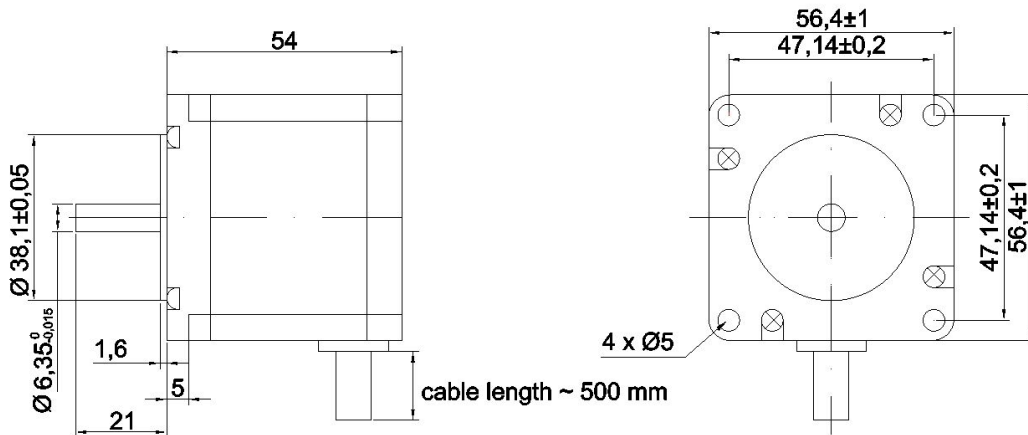
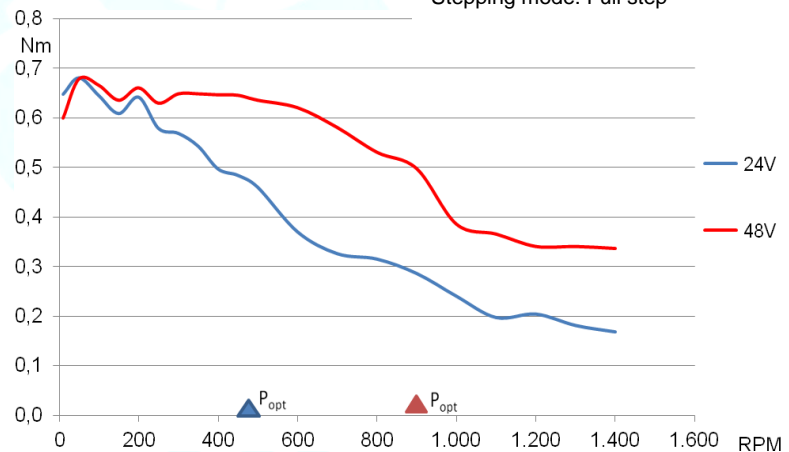


Hybrid Stepper Motor 57BYGH250D

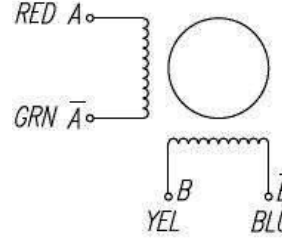
Mechanical Dimensions:



Stepper motor driver: Leadshine AM882
Stepping mode: Full step



Electrical Specifications:

	Bipolar		
			
No. of phases	2		
Step Angle	1.8 ± 0.09°		
Rated Voltage (V)	2.6		
Current (A)	2.0		
Resistance (Ω)	1.32		
Inductance (mH)	3.19		
Holding Torque coils on DC (Ncm)	95		
Holding Torque step mode (Ncm)	67		
Rotor Inertia (gcm ²)	280		
Insulation Class	B		
Insulation Resistance	100MΩ, 500VDC		
Weight (kg)	0.7		

18.07.14