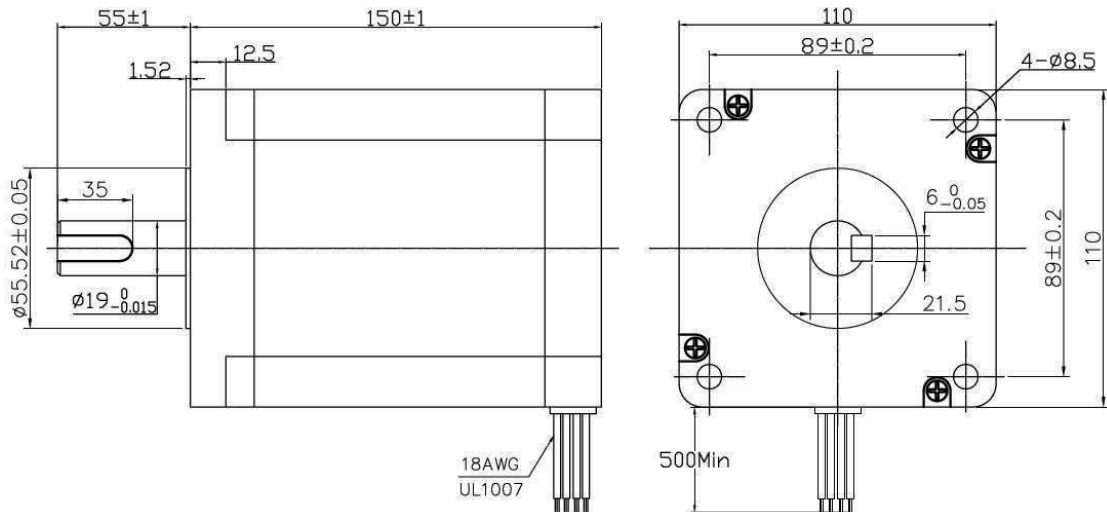
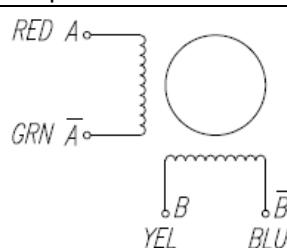


# Hybrid Stepper Motor 110BYGH250C

## Mechanical Dimensions:



## Electrical Specifications:

	Unipolar	Bipolar Serial	Bipolar Parallel
			
No. of Phases	4		
Step Angle	$1.8 \pm 0.09^\circ$		
Rated Voltage (V)	4.8		
Current (A)	6.0		
Resistance ( $\Omega$ )	$0.8 \pm 10\%$		
Inductance (mH)	$14 \pm 20\%$		
Holding Torque (Nm)	22		
Rotor Inertia ( $\text{kgcm}^2 \times 10^{-7}$ )			
Insulation Class	B		
Insulation Resistance	100M $\Omega$ , 500VDC		
Weight (kg)	9.0		