

SERVO MOTOR ACM604V60-01-2500 (V5.0)



FEATURES:

- Brushless construction
- 60 mm frame size,
- 60 VDC rated voltage,
- 400 W rated power
- 10000 CPR (2500-line) incremental encoder with A, B, indexing signals
- 1.27 Nm (180 oz-in) rated torque / 3.82 Nm (540 oz-in) peak
- 3000 min⁻¹ rated speed / 3500 min⁻¹ peak
- Standard cabling options to ACS series servo drives

DESCRIPTION:

The ACM604V60-01-2500 (V5.0) is a 400 W brushless AC servo motor with 10.000 PPR (2.500 line) optical incremental encoder, 3.000 min⁻¹ continuous speed and 3.500 min⁻¹ peak. When driven by Leadshine ACS series servo drives, this servo motor runs very smoothly between 1 min⁻¹ to 3500 min⁻¹ quietly at very high precision. It has been implemented in hundreds of industrial OEM applications around the world.

GENERAL SPECIFICATIONS:

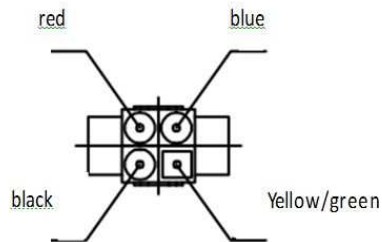
	ACM604V60-01-2500 (V5.0)	
Rated Voltage (V)	60	
Rated Power (W)	400	
Rated Torque (Nm)	1.27	
Max. Torque (Nm)	3.82	
Rated Speed (rpm)	3000	
Max. Speed (rpm)	3500	
Rated Current (A)	8.4	
Max. Current (A)	25	
Torque Constant (Nm/A)	0.161	
Back EMF constant (V/RPM)	5.54x10 ⁻³	
Resistance (Ω)	0.65	
Inductance (mH)	0.575	
Inertia (kg*m ² *10 ⁻⁴)	0.355	
Allowable Radial Load (N)	245	
Allowable Axial Load (N)	74	
Weight (kg)	1.46	
Ambient Operating Temperature (°C)	0 to 40	
Encoder (lines / Rev.)	2500	

SERVO MOTOR ACM604V60-01-2500 (V5.0)

CONNECTION:

Motor connector:

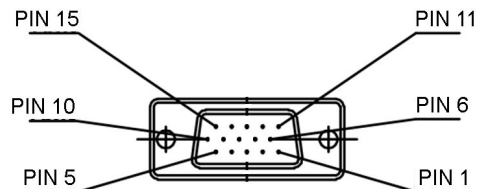
Female housing JST ELR-04NV with male pin SLM-41T-P1.3E;
 Opposite side = male housing JST ELP-04NV with female pin SLF-41T-P1.3E



(view to mating face of connector)

	Wire color	
Motor Phase U	Red	
Motor Phase V	Blue	
Motor Phase W	Black	
Shield / Motor Case	Yellow	

Encoder connector (D-Sub 15 male):

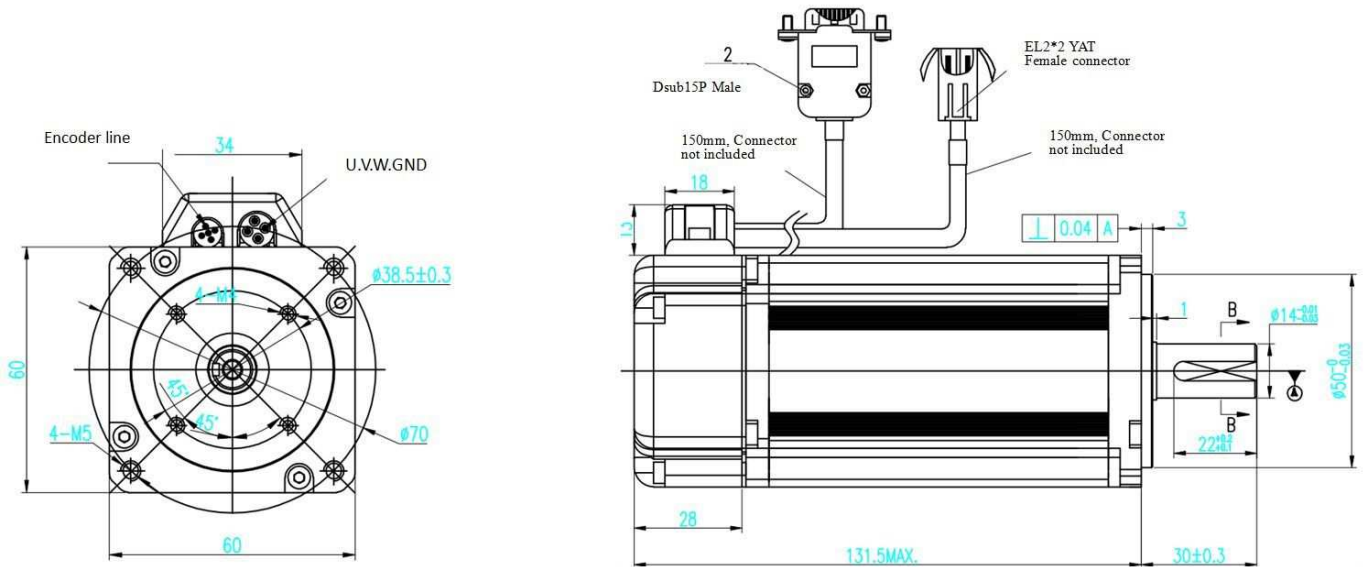


(view to mating face of connector)

Pin	Signal	Description
1	EA+	Encoder channel A+
2	EB+	Encoder channel B+
3	EGND	Signal ground
4	HallW+	Hall sensor W+
5	HallU+	Hall sensor U+
6	FG	Ground terminal for shield
7	EZ+	Encoder channel Z+
8	EZ-	Encoder channel Z-
9	HallV+	Hall sensor V+
10	HallV-	Hall sensor V-
11	EA-	Encoder channel A-
12	EB-	Encoder channel B-
13	VCC	+5V @ 100 mA max.
14	HallW-	Hall sensor W-
15	HallU-	Hall sensor U-

SERVO MOTOR ACM604V60-01-2500 (V5.0)

MECHANICAL SPECIFICATION:



TORQUE-SPEED CURVE:

ACM604V60

