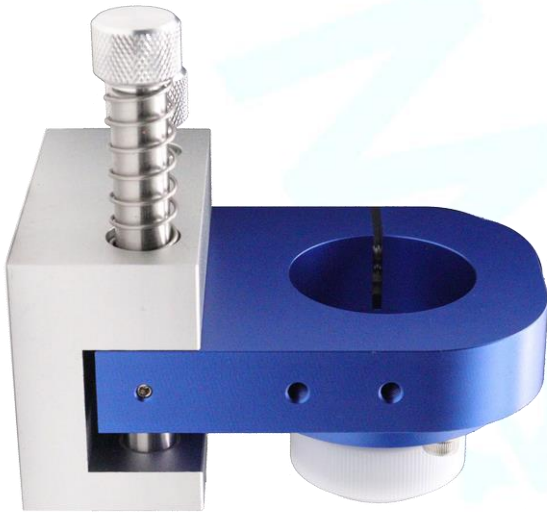


FES43

Floating Engraving Stop



1. Features

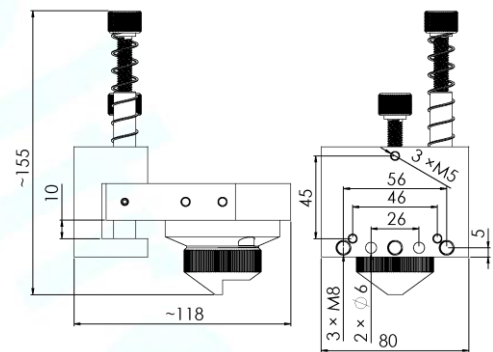
- Cost-effective device for fine engraving work.
- Spring force variably selectable to compensate the weight of the milling spindle to achieve an optimised contact pressure of the engraving tool.
- Mechanism to compensate for unevenness in the material to be engraved of up to 10 mm.
- Engraving depth remains precisely set and does not adjust thanks to floating mounting of the milling spindle
- Consistently adjustable engraving depth regardless of material unevenness
- Suitable e.g. for milling spindles with clamping neck $\varnothing 43$ mm

2. Description

The pressure of the engraving depth regulator is regulated by a spring. This results in a constant contact pressure of the milling tool. Thanks to a partially open cap made of POM, the device glides smoothly over all materials without damaging their surface. The engraving depth regulator thus ensures uniform engraving or constant machining depth for all engraving work and e.g. for the production of circuit boards, regardless of fluctuating material thickness or variations in the evenness of the base.

3. Technical Data

- Floating Engraving Stop with moving spindle holder
- Aluminium, high-quality anodised
- Several rear fastening options for easy mounting on existing machines
- Suitable for clamping neck $\varnothing 43$ mm
- Adjusting Screw to regulate the spring force
- Adjusting Screw to limit the spring travel
- Adjustable POM down holder with good gliding characteristics



4. Scope of Delivery

- 1 Piece Floating Engraving Stop, preassembled
- Sturdy practical storage box
- Weight (incl. Packing) ~1070 g

5. Accessories

- Optional POM sliding cap with $\varnothing 42$ mm contact surface for large-area contact pressure on the material to be machined