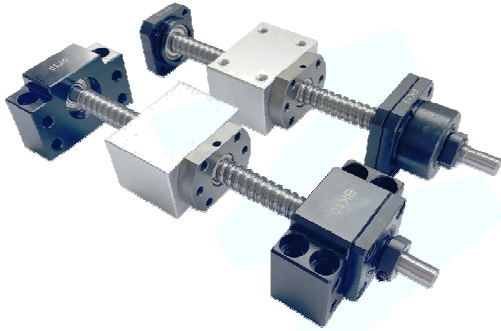


# SFU XXXX

# Ball Screw Spindles



Bearing and Nut Holder not included

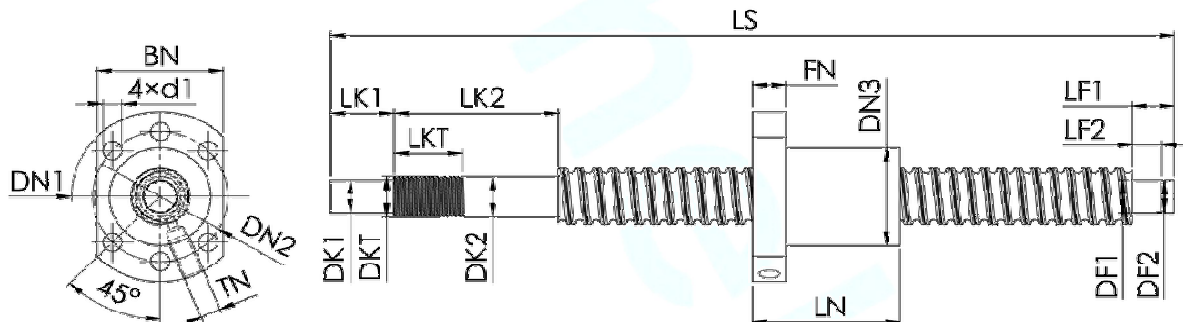
## 1. Features

- Rolled ball screws with machined ends suitable for locating bearings BK, FK and for floating bearings BF, FF
- Low backlash due to medium preload
- Precision Class: C7
- Material Spindle: 1.1219 (C56E2; S55C)
- Material Ball Nut: 20CrMo
- Nitrile Butadiene Rubber wiper (NBR) for good sealing and wiping properties

## 2. Description

Ball screws for linear drives, e.g. for CNC machines. The nut is backlash-free due to a medium preload. Ends are pre-machined to fit fixed bearing (BK and FK series) and floating bearing (BF and FF series).

## 3. Technical Data



Item	Nut								End for fixed Bearing						End for floating Bearing			
	BN	FN	LN	DN1	DN2	DN3	TN	d1	DK1	DK2	DKT	LK1	LK2	LKT	DF1	DF2	LF1	LF2
SFU1204	30	8	35	42	32	24	M5	4,5	8	10	M10x1	15	39	16	8	7,6	10	7
SFU1605	40	10	50	48	38	28	M6	5,5	10	12	M12x1	15	39	15	10	9,6	11	8
SFU1610			57															
SFU2005	44	10	51	58	47	36	M6	6,6	10	15	M15x1	20	40	12	15	14,3	13	9
SFU2010			60															
Tolerances	+0,15 -0,15	+0,1 -0,1	+0,15 -0,15	+0,15 -0,15	+0,15 -0,15	+0,1 -0,1	6g	+0,05 -0,05	h6	g5	/	+0,1 -0,1	+0,1 -0,1	+0,5 -0,0	g5	+0 -0,11	+0,1 -0,1	+0,1 -0

- Length LS: According to ordered size
- SFU1204: Ø12mm × Pitch 4mm: Art.No.:1001-204-xxxx suitable for BK10;FK10 and BF10;FF10
- SFU1605: Ø16mm × Pitch 5mm: Art.No.:1001-605-xxxx suitable for BK10;FK10 and BF10;FF10
- SFU1610: Ø16mm × Pitch 10mm: Art.No.:1001-610-xxxx suitable for BK10;FK10 and BF10;FF10
- SFU2005: Ø20mm × Pitch 5mm: Art.No.:1002-005-xxxx suitable for BK10;FK10 and BF10;FF10
- SFU2010: Ø20mm × Pitch 10mm: Art.No.:1002-010-xxxx suitable for BK10;FK10 and BF10;FF10

## 4. Scope of delivery

- Ball screw with machined ends, suitable for fixed bearings BK, FK and for floating bearings BF, FF
- Ball nut; pre-assembled
- Square nut for clamping in the fixed bearing
- Circlip for mounting in the floating bearing.
- Spindle nut withdrawal sleeve optional
- Grease Nipple:
  - ◆ SFU12xx: M5, Nickel-plated Brass, straight
  - ◆ SFU16xx and SFU20xx: M6, Nickel-plated Steel, 45°

Right of techn. modifications is reserved

[www.mecheltron.com](http://www.mecheltron.com)

Technische Änderungen vorbehalten